

# SILL

NEW 02



## Meaning of life service specifications Lx, By, Cz, LxFy

**LxBy** LxBy stands for rated life time as well as nominal life time of a LED.

**Lx** Value Lx, with x in %, indicates how many percent of the rated luminous flux is still available after indicated elapsed time. Total failures of luminaires will not be considered, but single LED failures will. With the LEDs used by SILL the figure is almost 0.

**By** The value By characterizes the amount of luminaires in regards to the degradation of the luminous flux. Since all LEDs don't degrade evenly this important value should always be stated.

Example: L80B10 > 50.000h means that not more than 10% of the luminaires fall below 80% of the luminous flux after 50.000h.

Is there just one value indicated one speaks of the medium rated life time, By = B50.

**Cz** Cz explains the total failures of luminaires after indicated elapsed time.

**LxFy** LxFy includes total failures of luminaires into the rated life time.

Example: L80F10 > 50.000h: 90% are still intact and do have 80% luminous flux

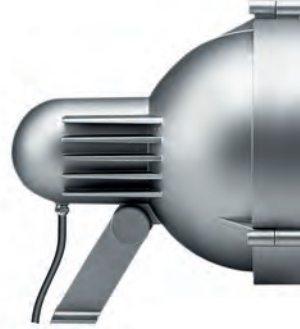
SILL Leuchten GmbH claims a luminaire life time of L80F10 > 50.000h

Under certain conditions a luminaire life time of L80F10 > 85.000h is possible.

# SILL



Page 5 - 25



Page 28 - 31



Page 33 - 43



Page 45 - 47



Page 49



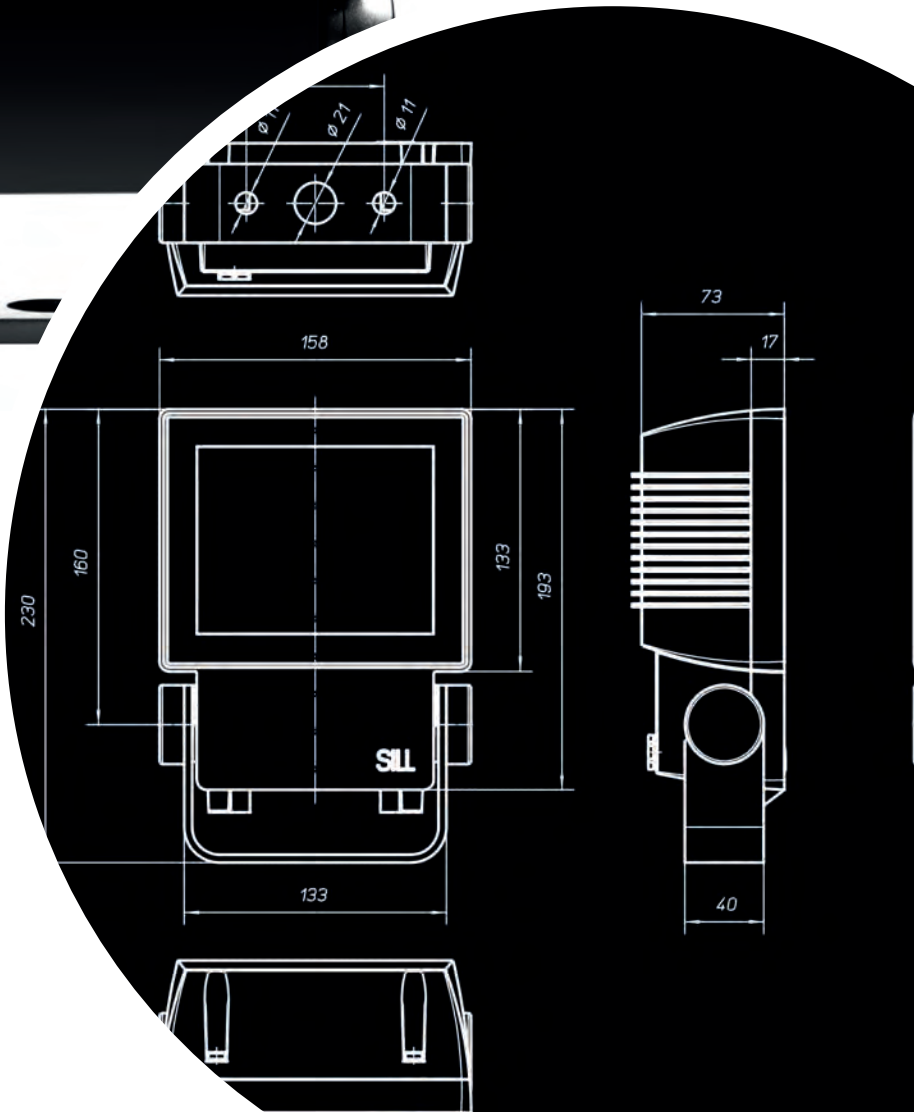
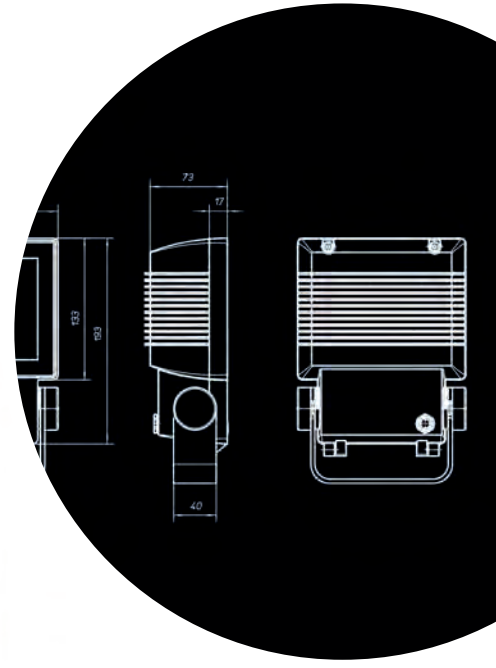
Page 51

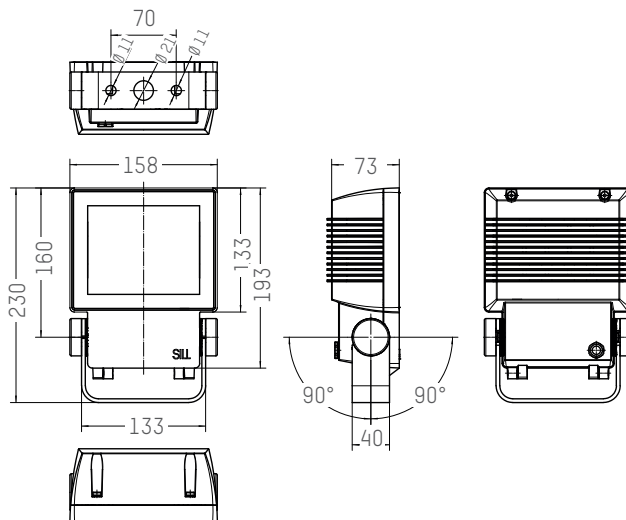


Page 53



Page 55





## 49S LED PROJECTOR

### Product description

- LED projector
- With pivoting mounting bracket
- Pivot range 90°

### Colour

- RAL 9005 black, other RAL colours on request

### Lighting technology – LDT

- LVK-1 narrow beam 6 LEDs 30 W
- LVK-2 diffuse narrow beam 12 LEDs 28 W
- LVK-3 deep wide beam 12 LEDs 28 W
- LVK-4 wide beam 12 LEDs 28 W
- LVK-B ribbon-like shape 12 LEDs 28 W

### System power

### Luminous flux information

LVK	Luminous flux in lm				Beam angle
	3000 K	4000 K	5700 K	pc amber	
- 1	2100	1970	2210	1360	6°
- 2	2220	2130	2400	1440	10°
- 3	2110	1980	2280	1370	22°
- 4	2080	1940	2240	1350	44°
- B	2030	1900	2190	1320	12° / 40°

### Control gear / Connection

- Integral electronic control gear 220-240 V 50/60 Hz
- Mains connection: Connecting terminal 3 x 2.5 mm<sup>2</sup>
- M16 Cable gland for cable diameters 6-8 mm

### Housing / Material

- Corrosion-resistant aluminium cast housing AlSi12, powder-coated, stove-enamelled
- Safety glass pane, clear

### Dimensions and weight

- Weight: 2.1 kg
- Width: 158 mm
- Height: 230 mm
- Depth: 73 mm
- Windage area:  $A_w = 0.031 \text{ m}^2$

### Ambient temperature

- -30° C ... 55° C

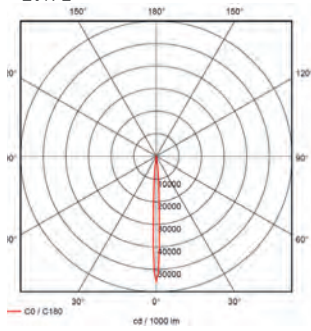
### Protection class / Approvals

- Protection type: IP65
- Protection class: I
- Guarantee: 5 years

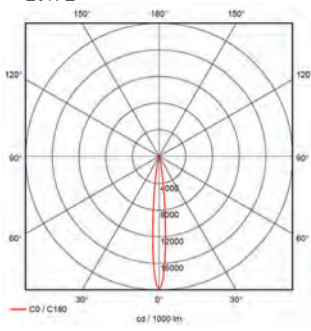
# 49S

LIGHT DISTRIBUTIONS

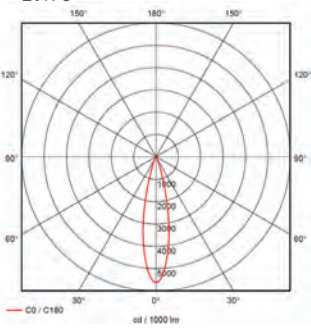
LVK 1



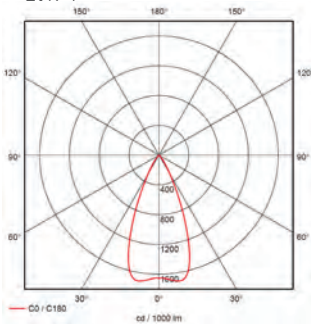
LVK 2



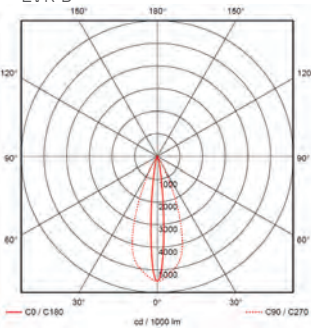
LVK 3



LVK 4



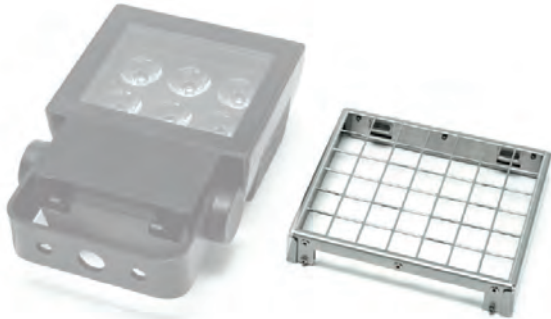
LVK B





# SILL

## 49S ACCESSORIES



Wire guard  
8 49S 001 00



Four-sided screen  
8 49S 002 00



Screen with horizontally adjustable blades  
8 49S 003 00



Screen with vertically adjustable blades  
8 49S 004 00

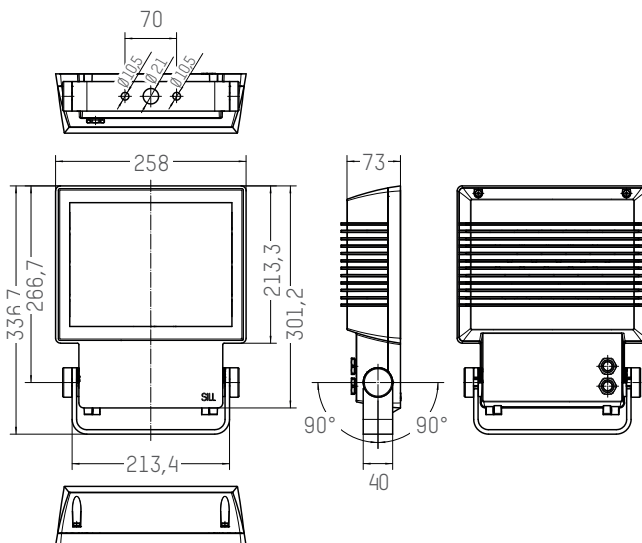


Three-sided screen  
8 49S 005 00

**More accessories on pages 16 and 17**







## 49M LED PROJECTOR

### Product description

- LED projector
- With pivoting mounting bracket
- Pivot range 90°

### Colour

- RAL 9005 black, other RAL colours on request

### Lighting technology – LDT

- LVK-1 narrow beam
- LVK-2 diffuse narrow beam
- LVK-3 deep wide beam
- LVK-4 wide beam
- LVK-5 asymmetrical wide beam
- LVK-B ribbon-like shape

### System power

- 20 LEDs 70 W
- 30 LEDs 70 W
- 30 LEDs 70 W
- 30 LEDs 70 W
- 30 LEDs 70 W
- 30 LEDs 70 W

### Luminous flux information

LVK	Luminous flux in lm				Beam angle
	3000 K	4000 K	5700 K	pc amber	
- 1	4870	4590	5260	3160	6°
- 2	5520	5300	5960	3580	10°
- 3	5250	4920	5670	3410	22°
- 4	5160	4840	5580	3350	44°
- 5	3420	3370	3690	2220	asym. lmax 47°
- B	5050	4740	5460	3280	12° / 40°

### Control gear / Connection

- Integral electronic control gear 220-240 V 50/60 Hz
- DALI-capability
- Mains connection: Connecting terminal 5 x 2.5 mm<sup>2</sup>
- 2x M20 Cable gland for cable diameters 8-12 mm
- Mains loop-in loop-out capable

### Housing / Material

- Corrosion-resistant aluminium cast housing AlSi12, powder-coated, stove-enamelled
- Safety glass pane, clear

### Dimensions and weight

- Weight: 5.2 kg
- Width: 258 mm
- Height: 337 mm
- Depth: 73 mm
- Windage area:  $A_w = 0.076 \text{ m}^2$

### Ambient temperature

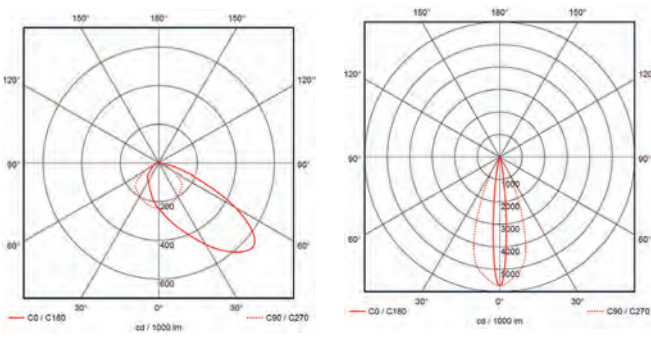
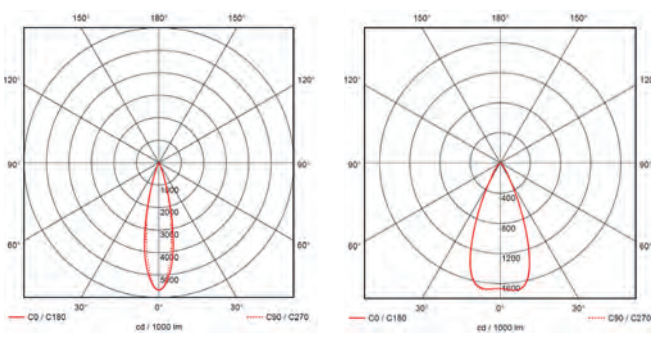
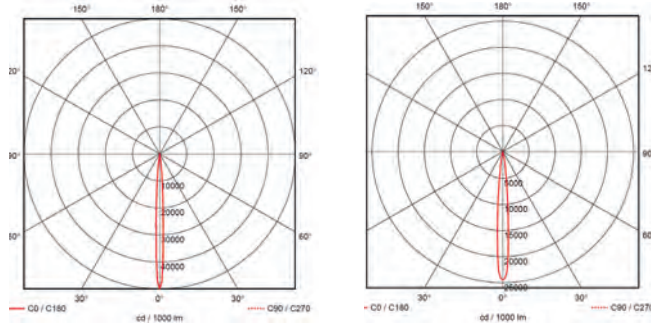
- LVK 1 -40°C ... 45°C | LVK 2-B -40°C ... 50°C

### Protection class / Approvals

- Protection type: IP65
- Protection class: I
- Guarantee: 5 years

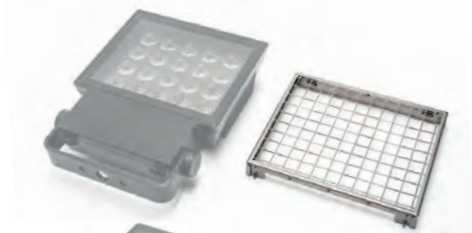
# 49M

LIGHT DISTRIBUTIONS



# SILL

## 49M ACCESSORIES



Wire guard  
8 49M 001 00



Four-sided screen  
8 49M 002 00



Screen with horizontally adjustable blades  
8 49M 003 00



Screen with vertically adjustable blades  
8 49M 004 00



Three-sided screen  
8 49M 005 00

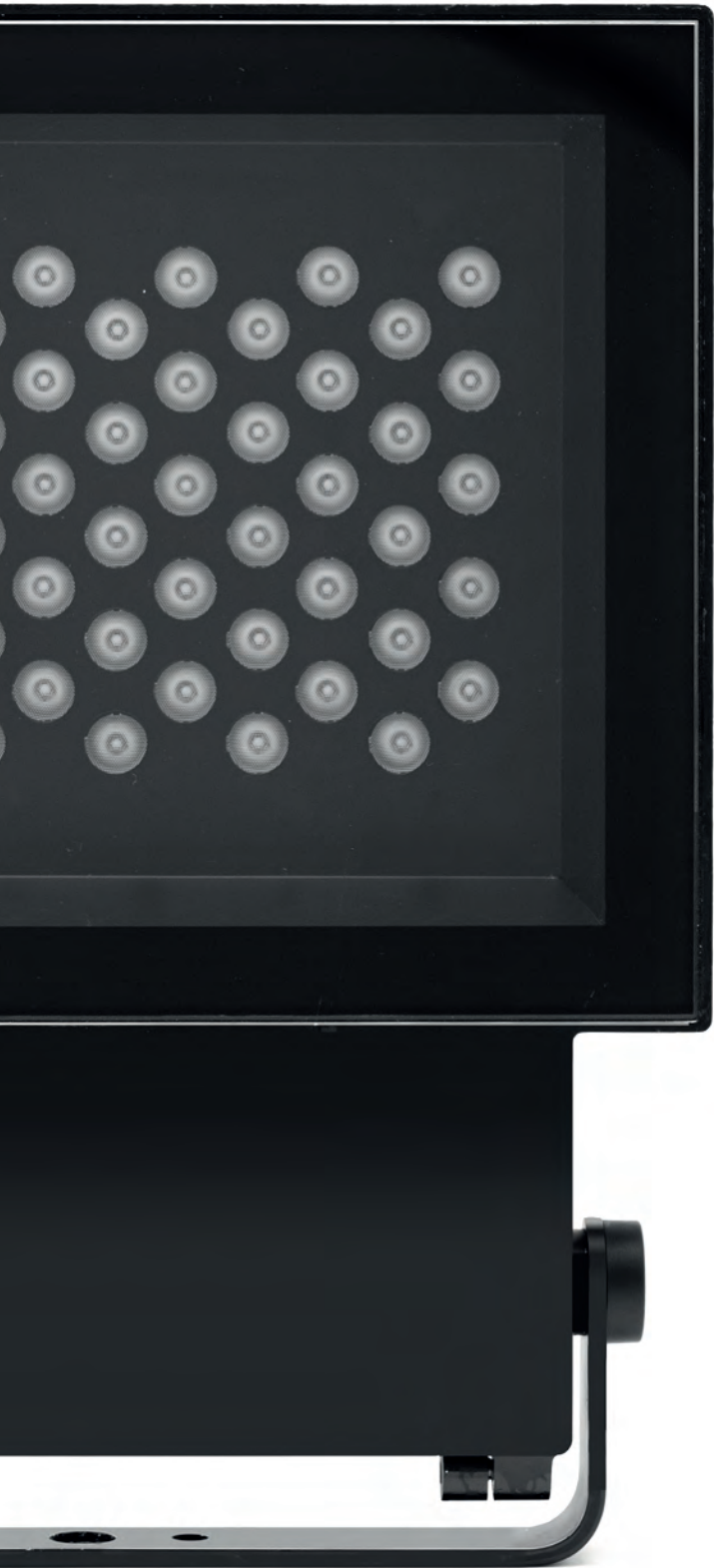


Adjustable screen-doors, lockable  
Pivotable individually 40° outwards  
8 49M 006 00



Adjustable screen-doors with opening blades, lockable  
Pivotable up to 40° outwards and 10° inwards.  
The lateral blades can pivot up to 40° outwards and  
up to 10° inwards  
8 49M 007 00

**More accessories on pages 16 and 17**





## 49L LED PROJECTOR

### Product description

- LED projector
- With pivoting mounting bracket
- Pivot range 90°

### Colour

- RAL 9005 black, other RAL colours on request

### Lighting technology – LDT

		System power
- LVK-1	narrow beam	48 LEDs 136 W
- LVK-2	diffuse narrow beam	60 LEDs 138 W
- LVK-3	deep wide beam	60 LEDs 138 W
- LVK-4	wide beam	60 LEDs 138 W
- LVK-5	asymmetrical narrow beam	60 LEDs 133 W
- LVK-B	ribbon-like shape	60 LEDs 138 W

### Luminous flux information

	LVK Luminous flux in lm					Beam angle
	3000 K	4000 K	5700 K	pc amber		
- 1	11640	10877	13270	6920	6°	
- 2	11780	11014	13430	7000	10°	
- 3	11760	10992	13410	6990	22°	
- 4	11370	10626	12970	6760	44°	
- 5	8450	8340	10175	6830	asym. lmax 47°	
- B	11490	10735	13100	6830	12° x 40°	

### Control gear / Connection

- Integral electronic control gear 220-240 V 50/60 Hz
- DALI-capability
- Mains connection: Connecting terminal 5 x 2.5 mm<sup>2</sup>
- 2x M20 Cable gland for cable diameters 8-12 mm
- Mains loop-in loop-out capable

### Housing / Material

- Corrosion-resistant aluminium cast housing AlSi12, powder-coated, stove-enamelled
- Safety glass pane, clear

### Dimensions and weight

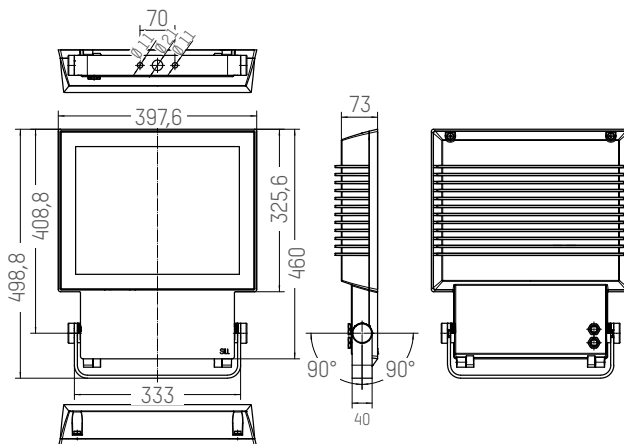
- Weight: 11 kg
- Width: 398 mm
- Height: 499 mm
- Depth: 73 mm
- Windage area:  $A_w = 0.177 \text{ m}^2$

### Ambient temperature

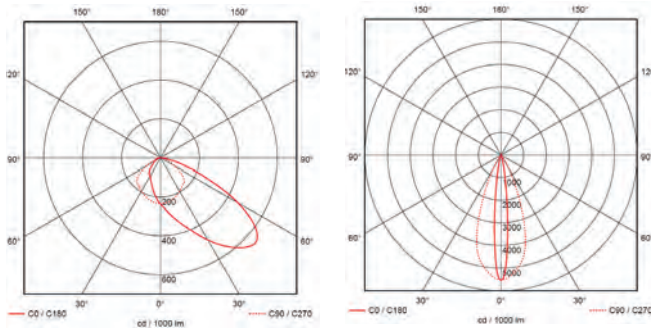
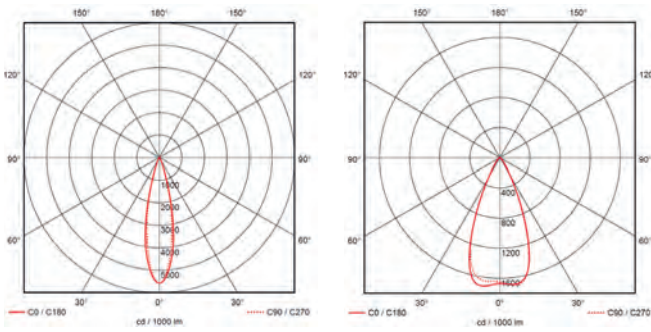
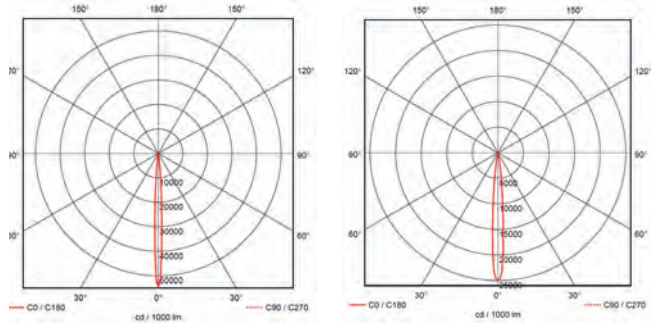
- -40°C ... 45°C

### Protection class / Approvals

- Protection type: IP65
- Protection class: I
- Guarantee: 5 years



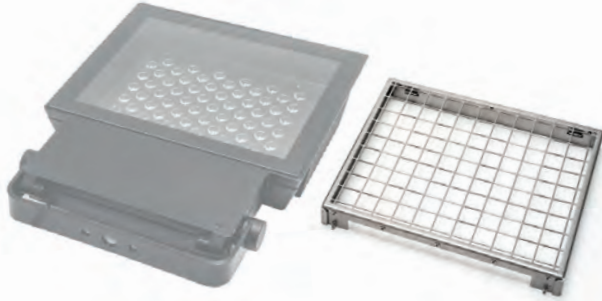
# 49L LIGHT DISTRIBUTIONS





# SILL

## 49L ACCESSORIES



Wire guard  
8 49L 001 00



Four-sided screen  
8 49L 002 00



Screen with horizontally adjustable blades  
8 49L 003 00



Screen with vertically adjustable blades  
8 49L 004 00



Three-sided screen  
8 49L 005 00

**More accessories on pages 16 und 17**

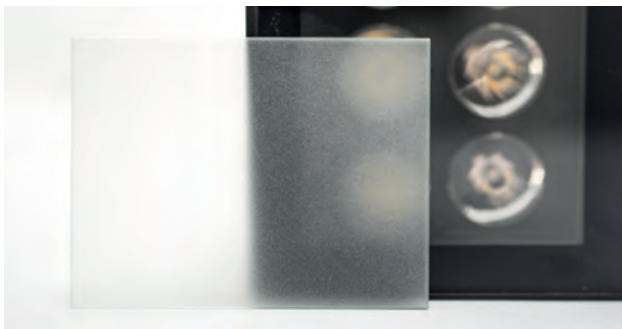


## 49 INSIDE ACCESSORIES

The accessory will be placed directly into the light output.  
Only one inside accessory possible for each luminaire.

Honeycomb louvre

- Honeycomb louvre, cut-off angle 43,5°  
8 49\* 020 00



Satinised glass

- Glass sand-blasted with grain 360 for diffusing  
8 49\* 021 00



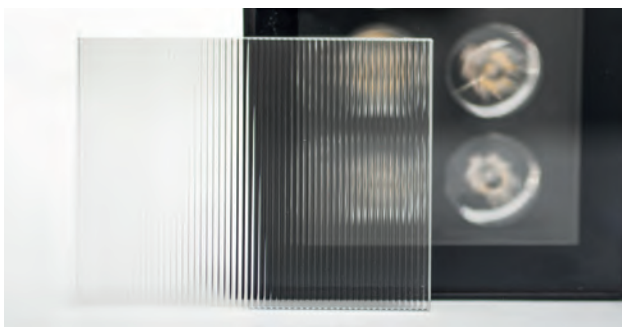
Clear glass, partially

- Glass, partially sand-blasted with grain 360 for diffusing the upper or lower part of light emission  
8 49\* 022 00



Grooved glass horizontal type 555B

- Narrow groove 1mm, for vertical spreading of the light beam  
8 49\* 023 00



Grooved glass vertical type 555B

- Narrow groove 1mm, for horizontal spreading of the light beam  
8 49\* 024 00

\* The asterisk in the accessory number stands for the relevant luminaire size.  
Please enter S, M, or L here depending on the size of luminaire desired

# SILL

## 49 INSIDE ACCESSORIES



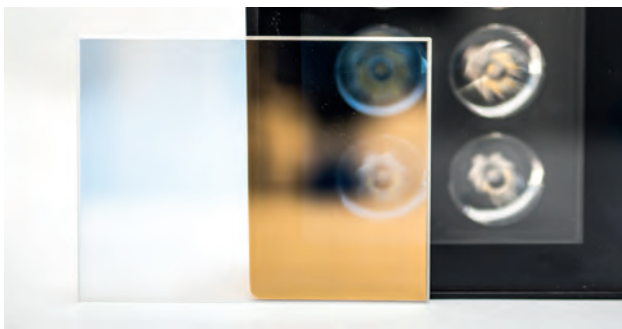
- Structured glass Lustral A  
- Medium-fine structure for diffusion  
8 49\* 025 00



- Structured glass Albarino S  
- Fine structure for diffusion  
- Extra white patterned glass , Light transmission: 91.5%  
8 49\* 026 00



- Conversion filter warm tone from 3000 K to 2600 K  
- Lowers the colour temperature from 3000 K to 2400 K  
8 49\* 030 00

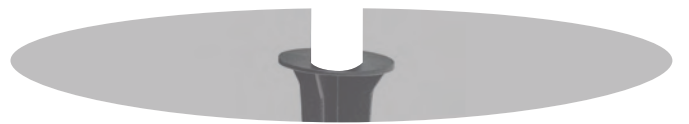


- Conversion filter neutral white  
- Raises the colour temperature from 3000 K to 3650 K  
8 49\* 031 00

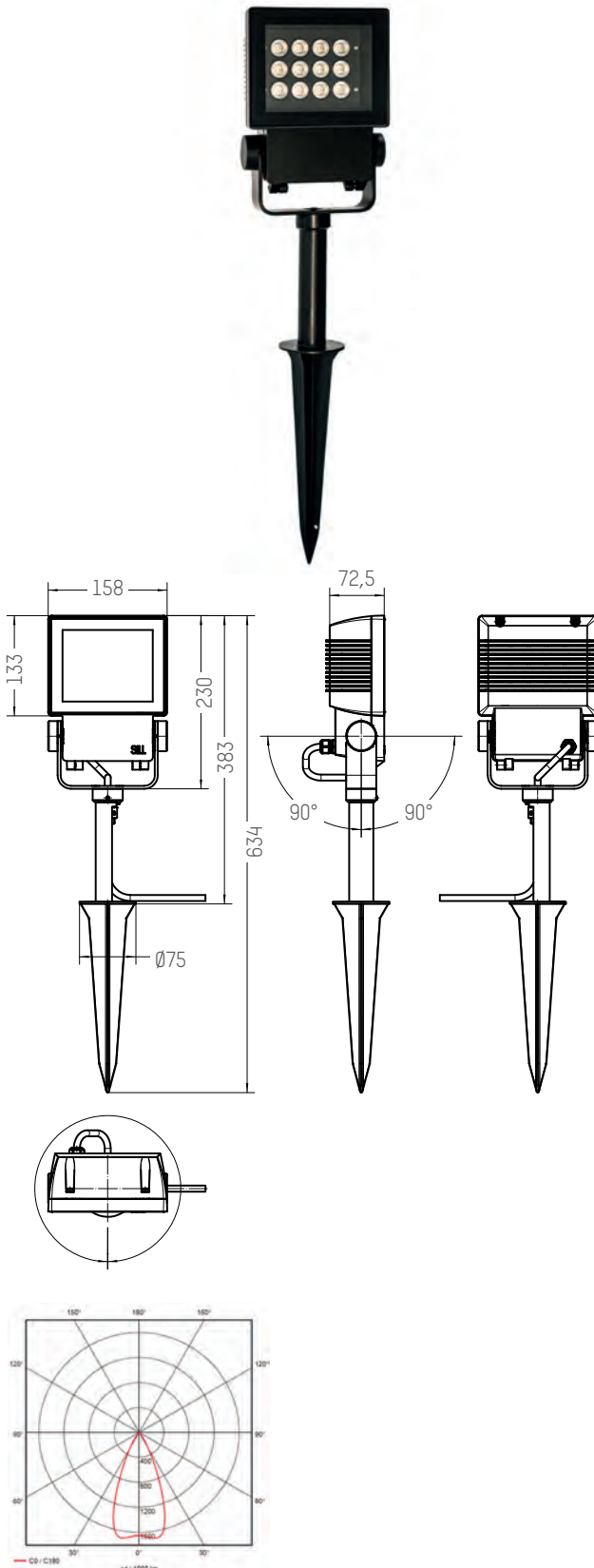


- Conversion filter daylight  
- Raises the colour temperature from 3000 K to 4450 K  
and from 5700 K to 14500 K  
8 49\* 032 00

\* The asterisk in the accessory number stands for the relevant luminaire size.  
Please enter S, M, or L here depending on the size of luminaire desired



## 49S \* 030 \*\* & 0000P0Q000 LED PROJECTOR WITH GROUND SPIKE



### Product description

- LED projector
- With mounting bracket and ground spike
- Pivot range 90°

### Colour

- RAL 9005 black, other RAL colours on request

### Lighting technology – LDT

- LVK-1 narrow beam
- LVK-2 diffuse narrow beam
- LVK-3 deep wide beam
- LVK-4 wide beam
- LVK-B ribbon-like shape

### System power

- 6 LEDs 30 W
- 12 LEDs 28 W
- 12 LEDs 28 W
- 12 LEDs 28 W
- 12 LEDs 28 W

### Luminous flux information

LVK	Luminous flux in lm				Beam angle
	3000 K	4000 K	5700 K	pc amber	
- 1	2100	1970	2210	1360	6°
- 2	2220	2130	2400	1440	10°
- 3	2110	1980	2280	1370	22°
- 4	2080	1940	2240	1350	44°
- B	2030	1900	2190	1320	12° / 40°

Light distributions curves see Page 6.

### Control gear / Connection

- Integral electronic control gear 220-240 V 50/60 Hz
- Power supply: 15 m cable with earthed plug, other cable lengths optional

### Housing / Material

- Corrosion-resistant aluminium cast housing AlSi12, powder-coated, stove-enamelled
- Safety glass pane, clear

### Dimensions and weight

- Weight: 2.55 kg
- Width: 158 mm
- Height: 383 mm (with ground spike 634 mm)
- Depth: 72,5 mm

### Ambient temperature

- -30°C ... 55°C

### Protection class / Approvals

- Protection type: IP65
- Protection class: I
- Guarantee: 5 years

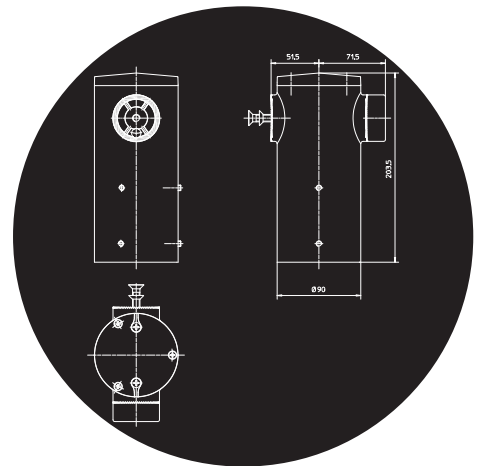
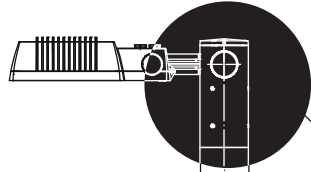
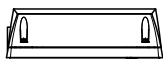
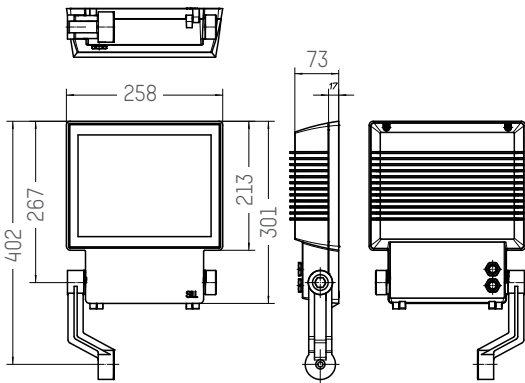


# SILL



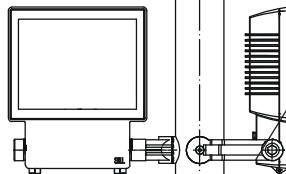
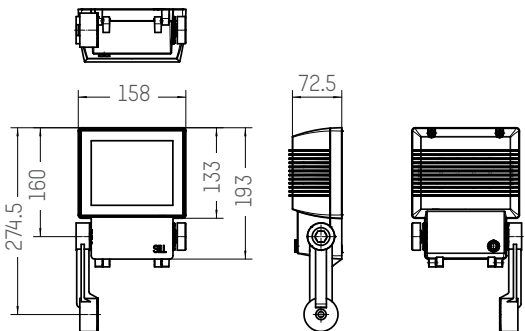


# SILL



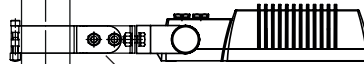
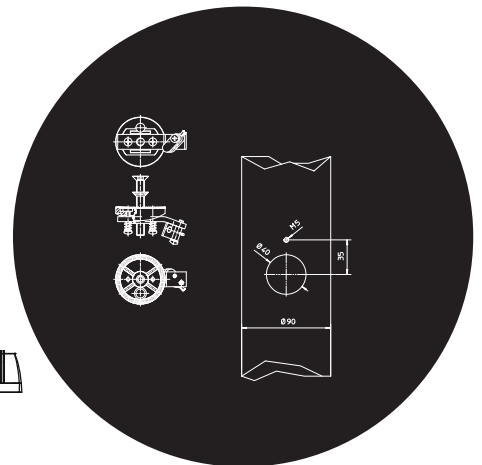
Column top for 49 S and M

- 8 454 001 60 for column diameter 60 mm
- 8 454 001 76 for column diameter 76 mm



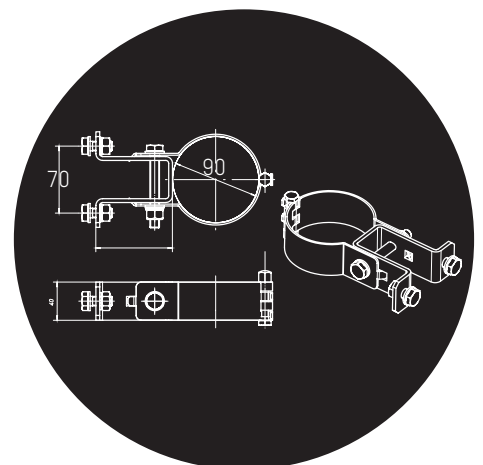
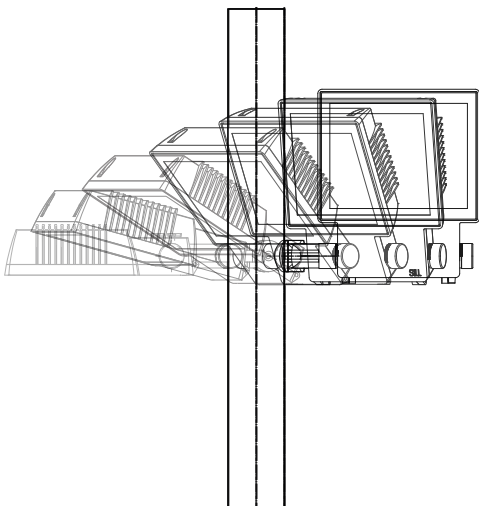
Lateral column mounting arm for 49 S and M

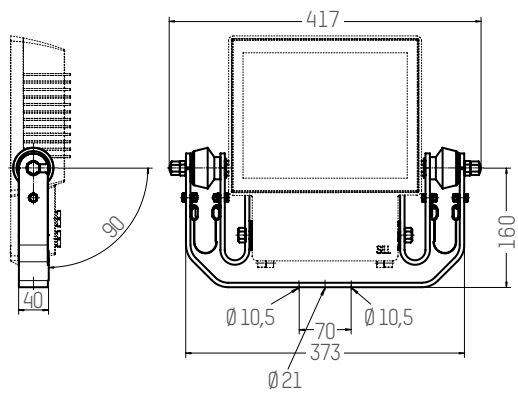
- 8 454 004 00



Column clamp 8 49M 050 00

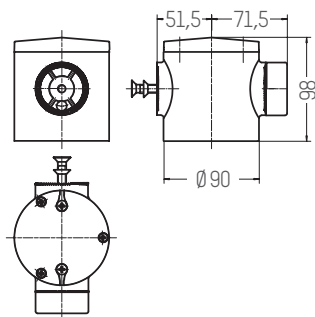
- Column clamp
- For lateral column mounting of luminaires out of the series 49 S and M with a mounting bracket
- Suitable for columns with 90-mm diameter



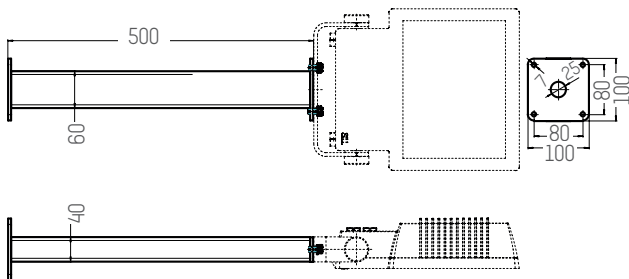


## 49 MOUNTING ACCESSORIES

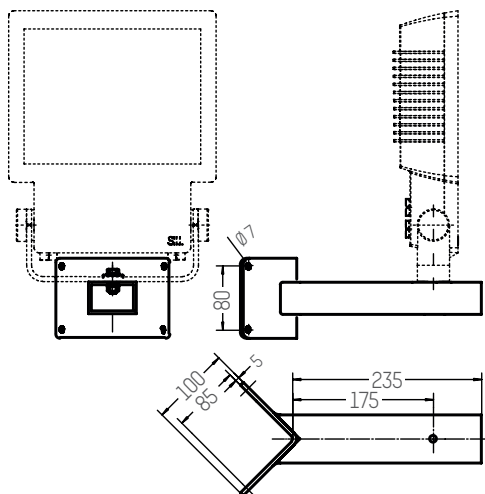
- For 49S, 49M and 49L  
 - Vibration damping mounting bracket  
 8 49\* 010 00



- For 49S and 49M with pivoting arm  
 - Wall and ceiling holder for one luminaire  
 8 454 003 00



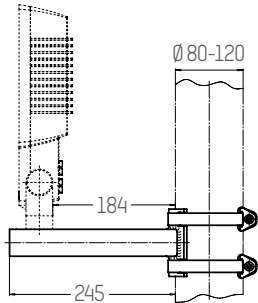
- For 49S and 49M  
 - Wall bracket, L=0.5 m  
 8 490 005 00



- For 49S and 49M  
 - Corner wall bracket  
 8 490 006 00

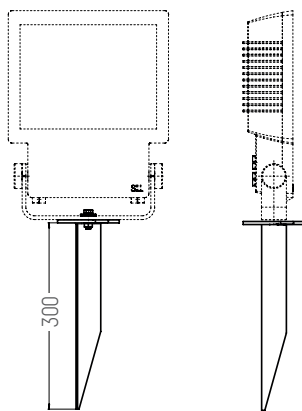
# SILL

## 49 MOUNTING ACCESSORIES



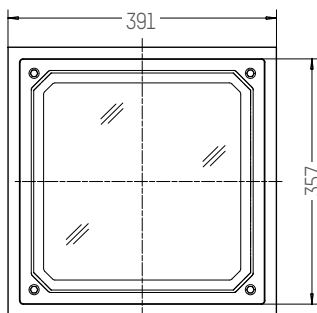
For **49S** and **49M**

- Column mounting bracket, for column diameters 80-120 mm  
8 490 007 00



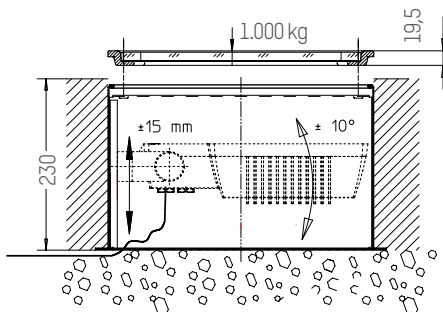
For **49S** and **49M**

- Ground spike, L=300 mm  
8 490 009 00

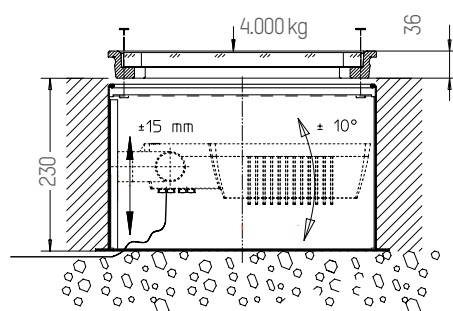


For **49S** and **49M**

- In-ground housing with aluminium frame,  
1.000 kg maximum loading capacity  
8 490 016 00

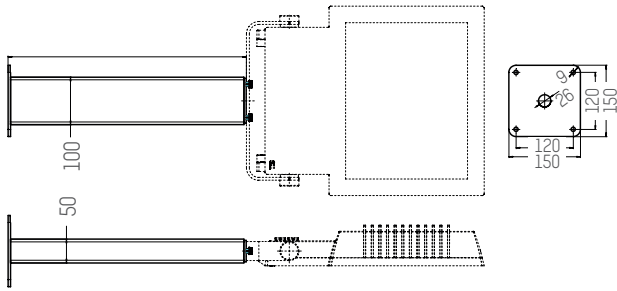


- In-ground housing with bronze frame,  
1.000 kg maximum loading capacity  
8 490 017 00



- In-ground housing with bronze frame,  
4.000 kg maximum loading capacity  
8 490 018 00

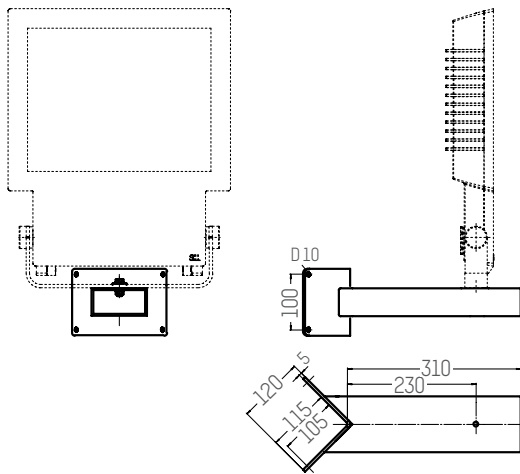
## 49 MOUNTING ACCESSORIES



For 49L

- Wall mounting bracket, L=0.5 m

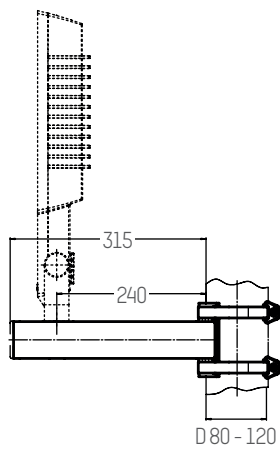
8 494 005 00



For 49L

- Wall mounting bracket

8 494 006 00



For 49L

- Column mounting bracket, for column diameters 80-120 mm

8 494 007 00

# SILL

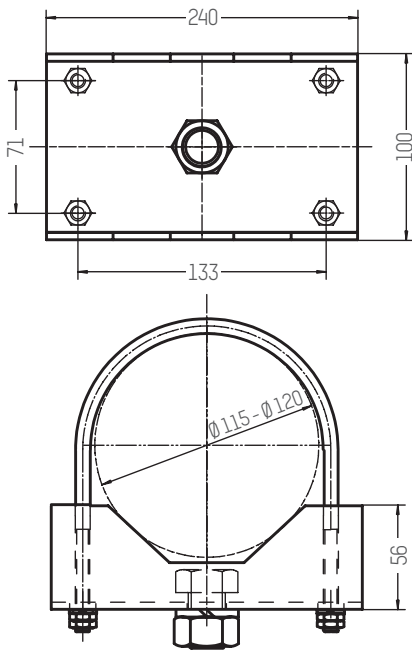
## 49 MOUNTING ACCESSORIES

For 49S, 49M and 49L:

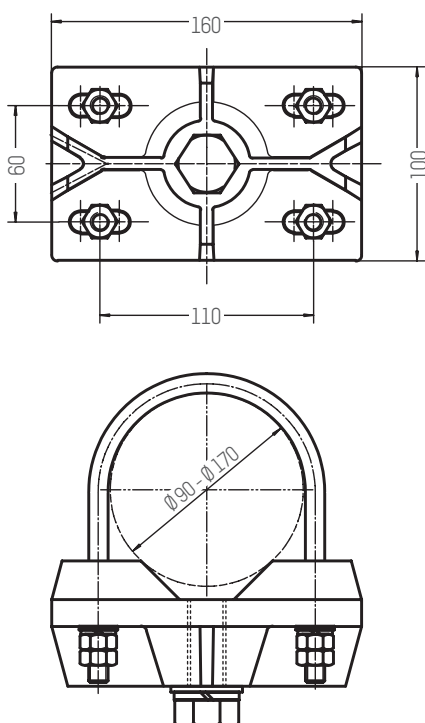
- Column clamp for various column diameters  
(Example: 8 555 002 00 **SMAST-115-120**  
120 (means for column diameters 115 to 120 mm))  
8 555 002 00

### Variants

- SMAST-55-60 for column diameters 55-60 mm
- SMAST-60-89 for column diameters 60-89 mm
- SMAST-85-92 for column diameters 85-92 mm
- SMAST-115-120 for column diameters 115-120 mm
- SMAST-150-170 for column diameters 150-170 mm



- Column clamp for various column diameters  
(Example: 8 561 002 00 **SMAST108**  
means for column diameter 108 mm)  
8 561 002 00



### Variants

- SMAST80 for column diameters 80 mm
- SMAST90 for column diameters 90 mm
- SMAST100 for column diameters 100 mm
- SMAST108 for column diameters 108 mm
- SMAST120 for column diameters 120 mm
- SMAST140 for column diameters 140 mm
- SMAST160 for column diameters 160 mm
- SMAST170 for column diameters 170 mm







# SILL

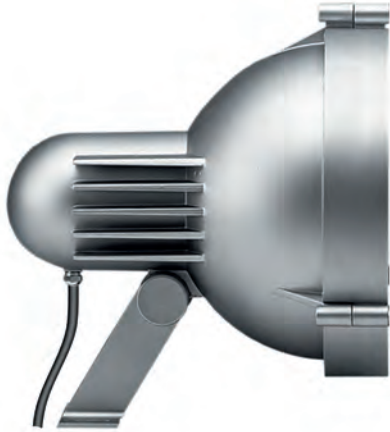






# DATA SHEET

# SILL



## 02S LED PARABOLIC SPOTLIGHT

### Product description

- LED-Parabolic spotlight
- Mounting bracket, pivots in two axes
- Pivot range -80°/+40°

### Colour

- RAL 9006 white aluminium, other RAL colours on request

### Lighting technology - LDT

	Luminaire lumen output	Beam angle
- LVK 1	740 lm	14°
- LVK 2	1280 lm	25°
- LVK 3	1290 lm	96°
- LVK 5	630 lm	12°/50°
- LVK 6	1100 lm	26°/40°
- 3000 K   4000 K   5700 K		
- Colour rendering index Ra >80		

### Control gear / Connection

- Integral control gear
- Rated voltage 120/240/277 V / 50/60 Hz
- System power: 15 W
- Cable: 3 x 1 mm<sup>2</sup>, length 1,5 m

### Housing / Material

- Corrosion-resistant aluminium cast housing, powder-coated, stove-enamelled
- Pivots in two axes
- Pure aluminium reflector
- Safety glass pane, clear

### Dimensions and weight

- Weight: 1,7 kg
- Width: Ø 174 mm
- Height: 230 mm
- Depth: 180 mm
- Windage area: A<sub>w</sub> = 0,025 m<sup>2</sup>

### Ambient temperature

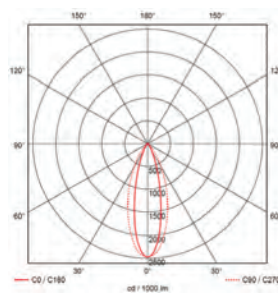
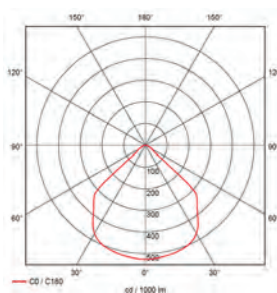
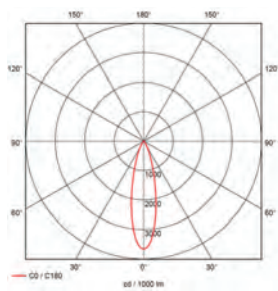
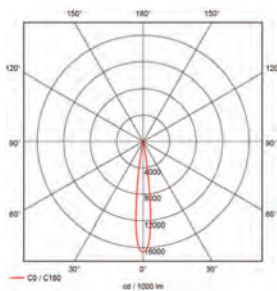
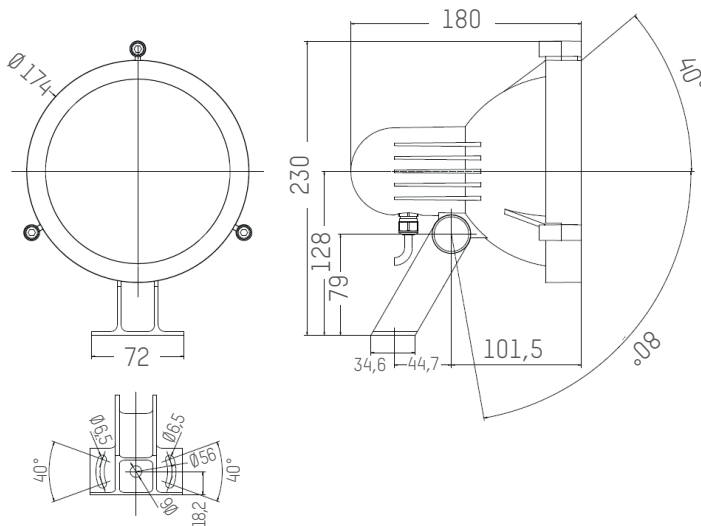
- -30°C ... 55°C

### Protection class / Approvals

- Protection type: IP65
- Protection class: I
- Guarantee: 5 years

### Variants

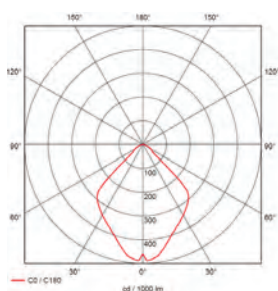
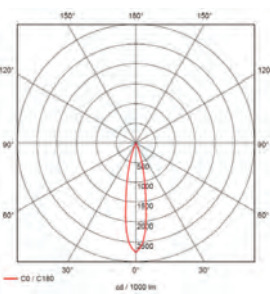
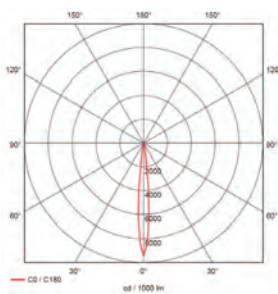
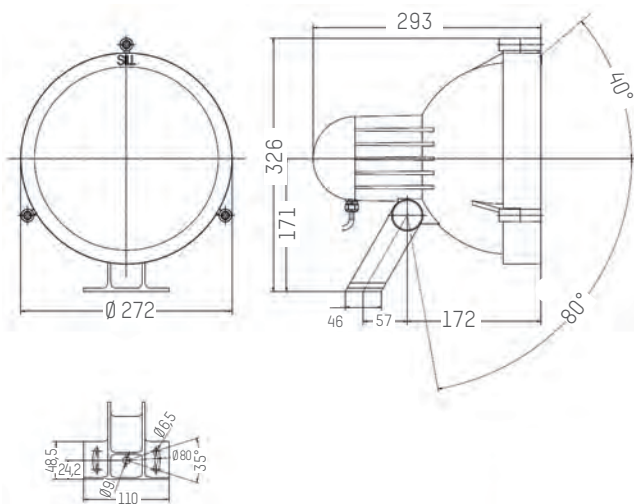
- Special paint finish
- Colour filter glass
- Modular gimbal system
- Other variants available



The pictures can change in colour and technical specification. Subject to technical changes without prior notice.

SILL Leuchten GmbH  
www.sill-lighting.com





The pictures can change in colour and technical specification.  
Subject to technical changes without prior notice.

## 02M LED PARABOLIC SPOTLIGHT

### Product description

- LED parabolic spotlight
- Mounting bracket, pivots in two axes
- Pivot range -80°/+40°

### Colour

- RAL 9006 white aluminium , other RAL colours on request

### Lighting technology – LDT

- LVK 1 13° 6900 lm at 4000 K\*
- LVK 2 26° 6700 lm at 4000 K\*
- LVK 3 88° 7340 lm at 4000 K
- 3000 K | 4000 K | 5700 K
- Colour rendering index Ra >80
- \* In the development, subject to change

### Control gear / Connection

- Integral control gear
- 1.5 m long connection cable
- System power 76 W
- Rated voltage 220 V/240 V, 50 Hz/60 Hz
- DALI optional

### Housing / Material

- Corrosion-resistant aluminium cast housing, powder-coated, stove-enamelled
- Pivots in two axes
- Pure aluminium reflector
- Safety glass pane, clear

### Dimensions and weight

- Weight: 6,8 kg
- Width: Ø 272 mm
- Height: 326 mm
- Depth: 293 mm
- Windage area:  $A_w = 0,06 \text{ m}^2$

### Ambient temperature

- -40°C ... 40°C

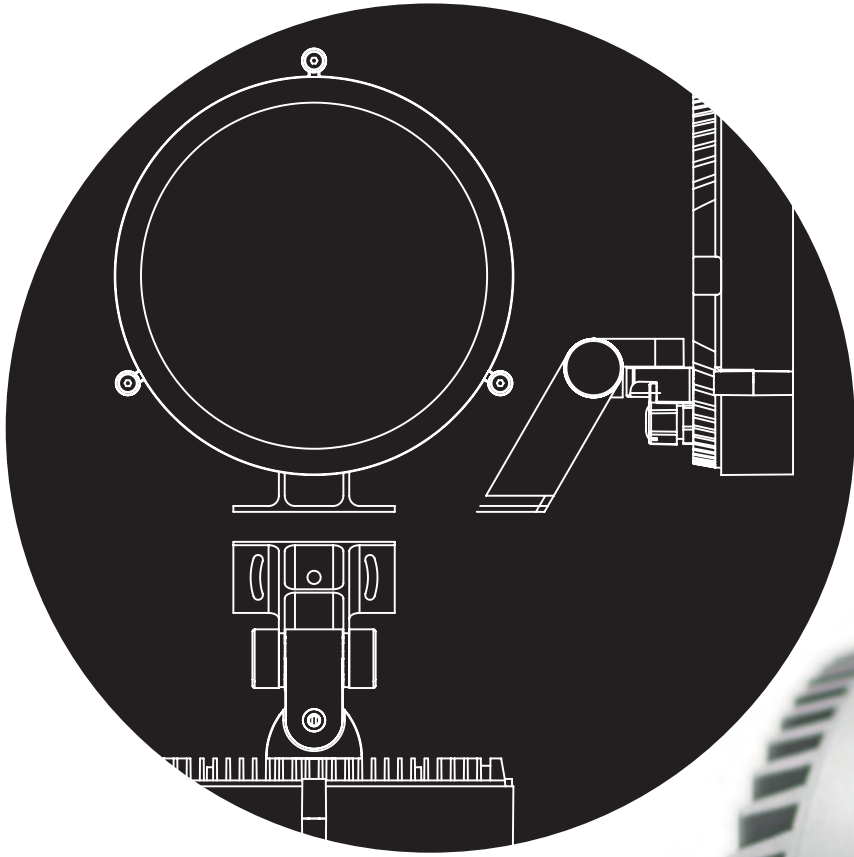
### Protection class / Approvals

- Protection type: IP65
- Protection class: I
- Guarantee: 5 years

### Variants

- Special paint finish
- Colour filter glass
- Modular gimbal system
- Other variants available







## DATA SHEET

# SILL



## 14S + 8 14S 001 00 LED SPOTLIGHT

### Product description

- LED Parabolic spotlight
- Mounting bracket, pivots in two axes
- Pivot range e -20°/90° + 45°/45° + 30°

### Colour

- RAL 9006 white aluminium , other RAL colours on request

### Lighting technology – LDT

- 3000 K | 4000 K | 5700 K
- Red | Green | Blue | Amber
- RGBW | RGBN | RGBK | RGBA

### Luminous flux at 30 W

LVK	Luminous flux in lm			pc amber	Beam angle
	3000 K	4000 K	5700 K		
- 1	1780	1655	2030	1050	14°
- 3	1875	1745	2140	1105	44°
- 5	1660	1545	1895	980	15° / 30°
- 6	1660	1545	1895	980	43° / 47°
- S	940	970	1170	530	6°

### Control gear / Connection

- 24 V DC
- Standard luminaire with 30 W, available from 15 W - 50 W
- Independent temperature monitoring
- Connection via insulation displacement termination, 4-pole 0.75-1.5 mm<sup>2</sup> for cable diameters 7-10mm

### Control

- On/off
- DALI dimmable
- DMX dimmable

### Housing / Material

- Corrosion-resistant aluminium cast housing, powder-coated, stove-enamelled
- Safety-glass pane, clear
- Flange assembly 4 x M6 in 35 x 35

### Dimensions and weight

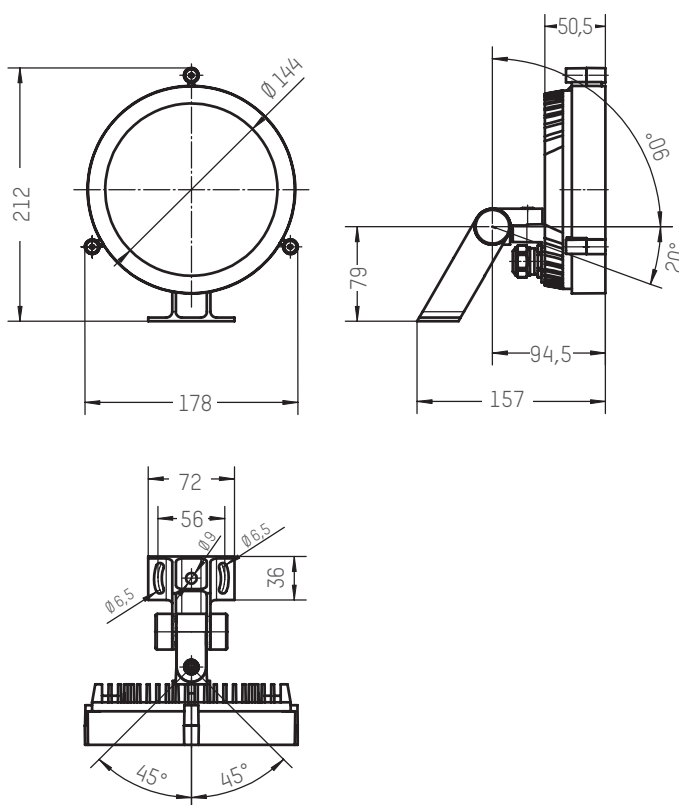
- Weight: ca. 1 kg
- Frame diameter: 178 mm
- Height: 212 mm (with mounting bracket 8 14S 001 00)
- Depth: 157 mm (with mounting bracket 8 14S 001 00)

### Ambient temperature

- -25°C ... 55°C

### Protection class / Approvals

- Protection type: IP65
- Protection class: III
- Guarantee: 5 years



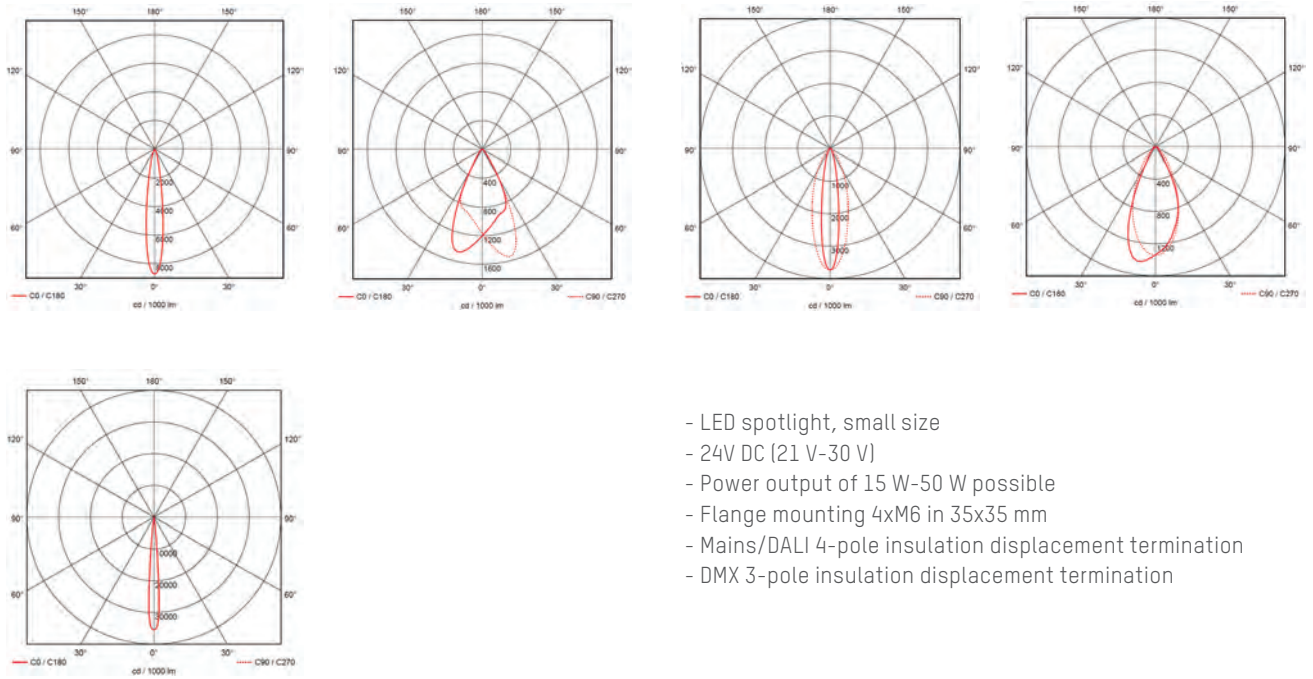
Order code for 14S on Page 34

The pictures can change in colour and technical specification.  
Subject to technical changes without prior notice.

SILL Leuchten GmbH  
www.sill-lighting.com

# 14S

## LIGHT DISTRIBUTIONS



- LED spotlight, small size
- 24V DC (21 V-30 V)
- Power output of 15 W-50 W possible
- Flange mounting 4xM6 in 35x35 mm
- Mains/DALI 4-pole insulation displacement termination
- DMX 3-pole insulation displacement termination

A	B								C	D		E		F	
Spotlight	Light distribution								Power	Light colour		Number of channels		Control	
	1	3	5	6	7	8	9	S		Colour temp.		1 channel	4 channels	0n/Off/DALI =D	0n/Off/DMX =C
14S Standard	X	X	X	X	-	-	-	X	30 W	W	3000 K	X	-	X	X
	X	X	X	X	-	-	-	X	30 W	N	4000 K	X	-	X	X
	X	X	X	X	-	-	-	X	30 W	K	5700 K	X	-	X	X
	X	X	X	X	-	-	-	X	30 W	R	625 nm	X	-	X	X
	X	X	X	X	-	-	-	X	30 W	G	525 nm	X	-	X	X
	X	X	X	X	-	-	-	X	30 W	B	465 nm	X	-	X	X
	X	X	X	X	-	-	-	X	30 W	A	590 nm	X	-	X	X
	-	X	X	X	-	-	-	x	30 W	RGBW		-	X	X	X

With RGBW, W is= 3000 K. Other white tones can be manufactured as special circuit boards with RGBW.

### Order code for series 14S

For example small spotlight for DALI: **14S 3 030 NNNN 1 D + 8 14S 001 00 + 8 14S 030 00**

Luminaire						optional	
A	B	C	D	E	F	Mounting	Power supply unit
14S	3	030	NNNN	1	D	8 14S 001 00	8 14S 030 00

# SILL

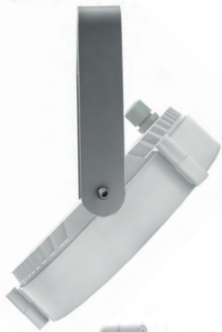
## 14S ACCESSORIES



Standard bracket  
8 14S 001 00



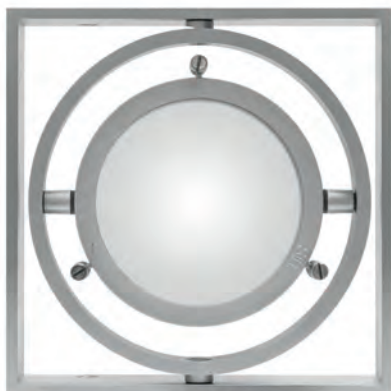
Edged bracket  
8 14S 001 0B



Pivoting bracket  
8 14S 001 0H



Rotating element (Search spotlight)  
8 14S 001 0D



Gimbal mounting  
8 14S 001 0K

Prismatic glass for ribbed-shape like light distribution also available

Order code for 14S on page 34

The pictures can change in colour and technical specification.  
Subject to technical changes without prior notice.

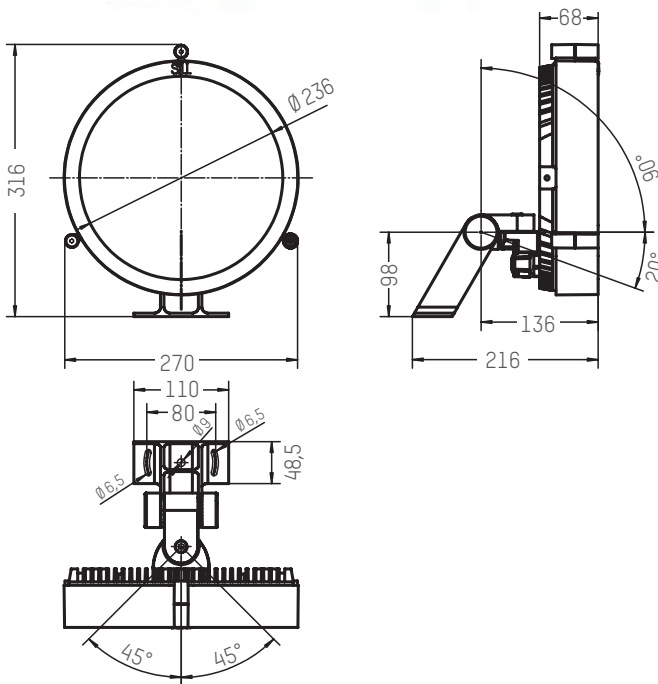
SILL Leuchten GmbH  
[www.sill-lighting.com](http://www.sill-lighting.com)

# SILL



## DATA SHEET

# SILL



## 14M + 8 14M 001 00 LED SPOTLIGHT

### Product description

- LED spotlight
- Pivot range e -20°/90° + 45°/45° + 30°

### Colour

- RAL 9006 white aluminium , other RAL colours on request

### Lighting technology – LDT

- 3000 K | 4000 K | 5700 K
- Red | Green | Blue | Amber
- RGBW | RGBN | RGBK | RGBA

### Luminous flux at 100 W

LVK	Luminous flux in lm				Beam angle
	3000 K	4000 K	5700 K	pc amber	
- 1	7100	6630	8090	4220	14°
- 3	7160	6690	8160	4250	44°
- 5	6110	5710	6970	3630	15° / 30°
- 6	6210	5810	7090	3690	43° / 47°
- S	4690	4850	5892	2645	6°

### Control gear / Connection

- 24 V DC
- Standard luminaire at 100 W, available from 30 W - 110 W
- Independent temperature monitoring
- Connection via insulation displacement termination, 4-pole 0.75-1.5 mm<sup>2</sup> for cable diameters 7-10 mm

### Control

- On/off
- DALI dimmable
- DMX dimmable

### Housing / Material

- Corrosion-resistant aluminium cast housing, powder-coated, stove-enamelled
- Safety-glass pane, clear
- Flange assembly 4x M8 in 35x35

### Dimensions and weight

- Weight: ca. 2.7 kg
- Frame diameter: 270 mm
- Height: 316 mm (with mounting bracket 8 14M 001 00)
- Depth: 216 mm (with mounting bracket 8 14M 001 00)

### Ambient temperature

- -25°C ... 55°C

### Protection class / Approvals

- Protection type: IP65
- Protection class: III
- Guarantee: 5 years

Order code 14M on Page 38

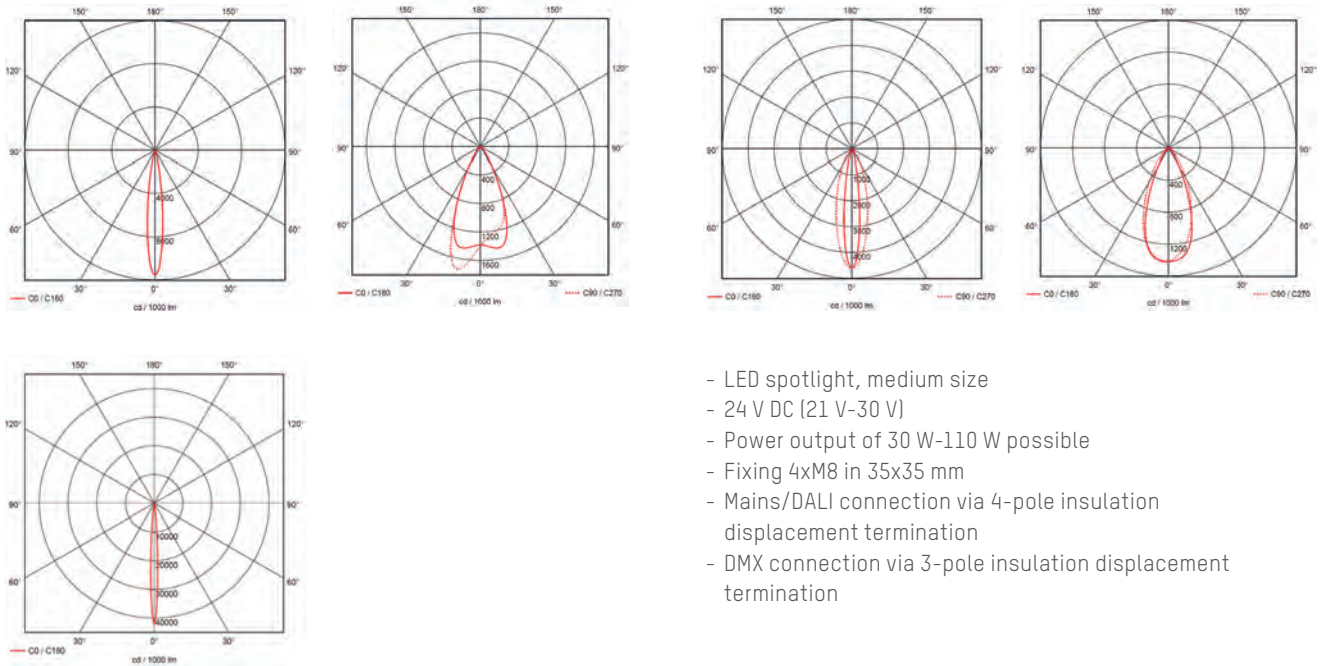
The pictures can change in colour and technical specification.  
Subject to technical changes without prior notice.

SILL Leuchten GmbH  
www.sill-lighting.com



# 14M

## LIGHT DISTRIBUTIONSEN



- LED spotlight, medium size
- 24 V DC (21 V-30 V)
- Power output of 30 W-110 W possible
- Fixing 4xM8 in 35x35 mm
- Mains/DALI connection via 4-pole insulation displacement termination
- DMX connection via 3-pole insulation displacement termination

A	B								C	D		E		F	
Spotlight	Light distribution								Power	Light colour		Number of channels		Control	
	1	3	5	6	7	8	9	S		Colour temp.			1 channel	4 channels	On/Off/DALI = D
14M Standard	X	X	X	X	-	-	-	X	100 W	W	3000 K	X	-	X	X
	X	X	X	X	-	-	-	X	100 W	N	4000 K	X	-	X	X
	X	X	X	X	-	-	-	X	100 W	K	5700 K	X	-	X	X
	X	X	X	X	-	-	-	X	100 W	R	625 nm	X	-	X	X
	X	X	X	X	-	-	-	X	100 W	G	525 nm	X	-	X	X
	X	X	X	X	-	-	-	X	100 W	B	465 nm	X	-	X	X
	X	X	X	X	-	-	-	X	100 W	A	590 nm	X	-	X	X
	-	X	X	X	-	-	-	-	100 W	RGBW			-	X	X

With RGBW, W is= 3000 K. Other white tones can be manufactured as special circuit boards with RGBW.

### Order code for series 14M

For example medium spotlight for DALI: **14M 3 100 NNNN 1 D + 8 14M 001 00 + 8 14M 100 00**

Luminaire						optional	
A	B	C	D	E	F	Mounting	Power supply unit
14M	3	100	NNNN	1	D	8 14M 001 00	8 14M 100 00

The pictures can change in colour and technical specification.  
Subject to technical changes without prior notice.

SILL Leuchten GmbH  
www.sill-lighting.com



# SILL

## 14M ACCESSORIES



Standard bracket  
8 14M 001 00



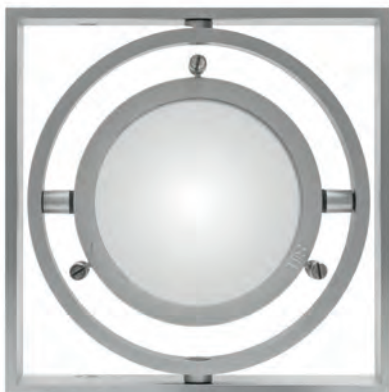
Edged bracket  
8 14M 001 0B



Pivoting bracket  
8 14M 001 0H



Rotating element (Search spotlight)  
8 14M 001 0D



Gimbal mounting  
8 14M 001 0K

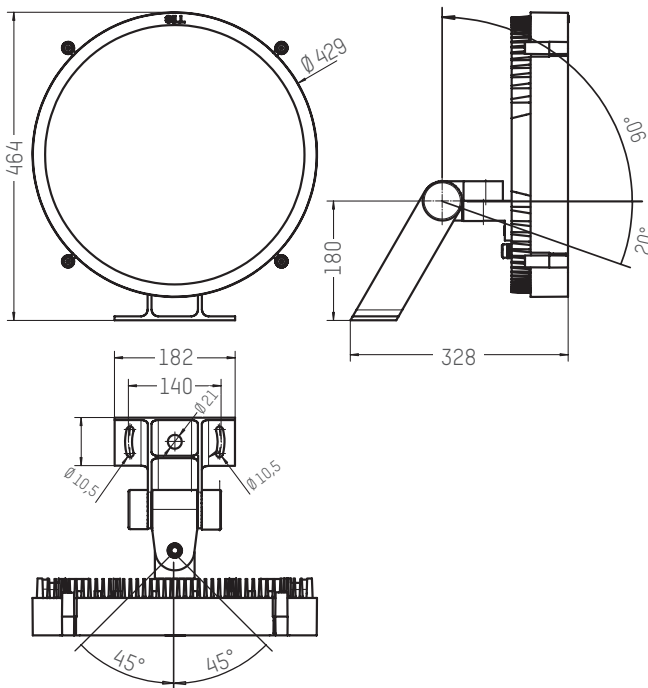
Prismatic glass for ribbon-shaped like light  
distribution also available

Order code for 14M on page 38

The pictures can change in colour and technical specification.  
Subject to technical changes without prior notice.

**SILL Leuchten GmbH**  
[www.sill-lighting.com](http://www.sill-lighting.com)





## 14L + 8 14L 001 00 LED SPOTLIGHT

### Product description

- LED spotlight
- Pivot range e -20°/90° + 45°/45° + 30°

### Colour

- RAL 9006 white aluminium , other RAL colours on request

### Lighting technology – LDT

- 3000 K | 4000 K | 5700 K
- Red | Green | Blue | Amber
- RGBW | RGBN | RGBK | RGBA

### Luminous flux at 250 W

LVK	Luminous flux in lm				Beam angle
	3000 K	4000 K	5700 K	pc amber	
- 1	17750	16575	20225	10550	14°
- 3	17900	16725	20400	10625	44°
- 5	15275	14275	17425	9075	15° / 30°
- 6	15525	14525	17725	9225	43° / 47°
- S	11760	12500	15190	6815	6°

### Control gear / Connection

- 48 V DC
- Standard luminaire at 250 W, available from 50 W - 300 W
- Independent temperature monitoring
- Connection via insulation displacement termination, 4-pole 0.75-1.5 mm<sup>2</sup> for cable diameters 7-10 mm

### Control

- On/off
- DALI dimmable
- DMX dimmable

### Housing / Material

- Corrosion-resistant aluminium cast housing, powder-coated, stove-enamelled
- Safety-glass pane, clear
- Flange assembly 4x M10 in 35x35mm

### Dimensions and weight

- Weight: ca. 12,9 kg
- Frame diameter: 429 mm
- Height: 464 mm (with mounting bracket 8 14L 001 00)
- Depth: 328 mm (with mounting bracket 8 14L 001 00)

### Ambient temperature

- -25°C ... 55°C

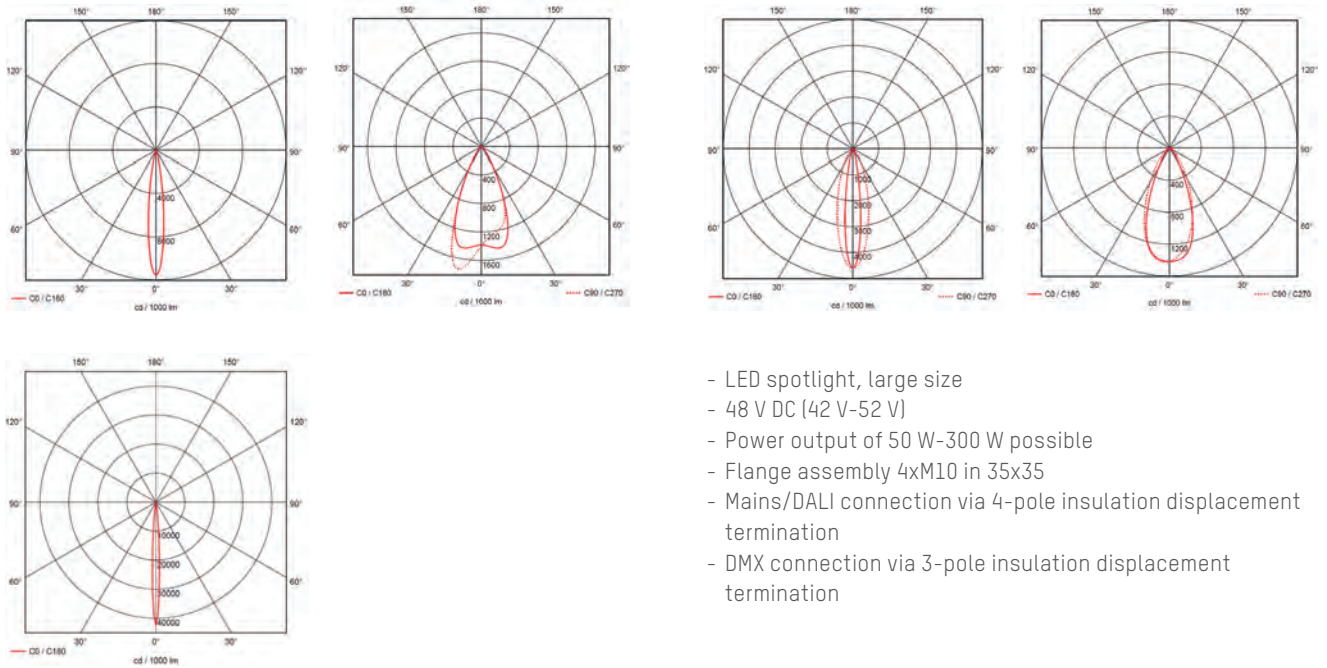
### Protection class / Approvals

- Protection type: IP65
- Protection class: III
- Guarantee: 5 years

Order code for 14L on Page 42

# 14L

## LIGHT DISTRIBUTIONSEN



- LED spotlight, large size
- 48 V DC (42 V-52 V)
- Power output of 50 W-300 W possible
- Flange assembly 4xM10 in 35x35
- Mains/DALI connection via 4-pole insulation displacement termination
- DMX connection via 3-pole insulation displacement termination

A	B								C	D		E		F	
Spotlight	Light distribution								Power	Light Colour		Number of channels		Control	
	1	3	5	6	7	8	9	S		Colour temp.		1 channel	4 channels	0n/0ff/DALI =D	0n/0ff/DMX =C
14L Standard	X	X	X	X	-	-	-	X	250 W	W	3000 K	X	-	X	X
	X	X	X	X	-	-	-	X	250 W	N	4000 K	X	-	X	X
	X	X	X	X	-	-	-	X	250 W	K	5700 K	X	-	X	X
	X	X	X	X	-	-	-	X	250 W	R	625 nm	X	-	X	X
	X	X	X	X	-	-	-	X	250 W	G	525 nm	X	-	X	X
	X	X	X	X	-	-	-	X	250 W	B	465 nm	X	-	X	X
	X	X	X	X	-	-	-	X	250 W	A	590 nm	X	-	X	X
	-	X	X	X	-	-	-	X	250 W	RGBW		-	X	X	X

With RGBW, W is= 3000 K. Other white tones can be manufactured as special circuit boards with RGBW.

### Order code for series 14L

For example large spotlights for DALI: **14L 3 250 NNNN 1 D + 8 14L 001 00 + 8 14L 250 00**

Luminaire						optional	
A	B	C	D	E	F	Mounting	Mains
14L	3	250	NNNN	1	D	8 14L 001 00	8 14L 250 00

The pictures can change in colour and technical specification.  
Subject to technical changes without prior notice.

SILL Leuchten GmbH  
www.sill-lighting.com

# SILL

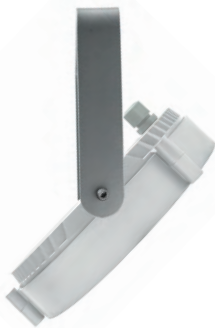
## 14L ACCESSORIES



Standard bracket  
8 14L 001 00



Edged bracket  
8 14L 001 0B



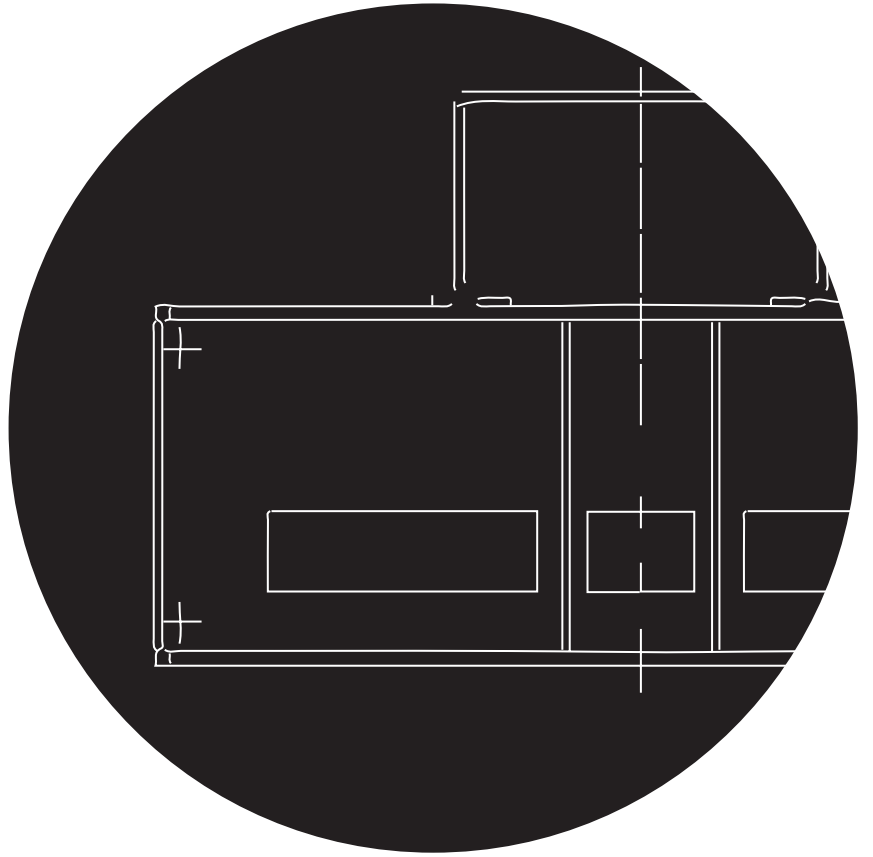
Pivoting bracket  
8 14L 001 0H

Order code for 14L on Page 42

The pictures can change in colour and technical specification.  
Subject to technical changes without prior notice.

SILL Leuchten GmbH  
[www.sill-lighting.com](http://www.sill-lighting.com)



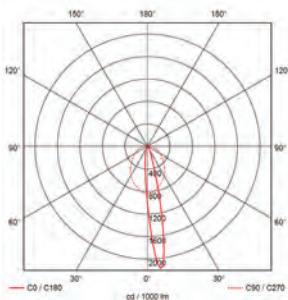
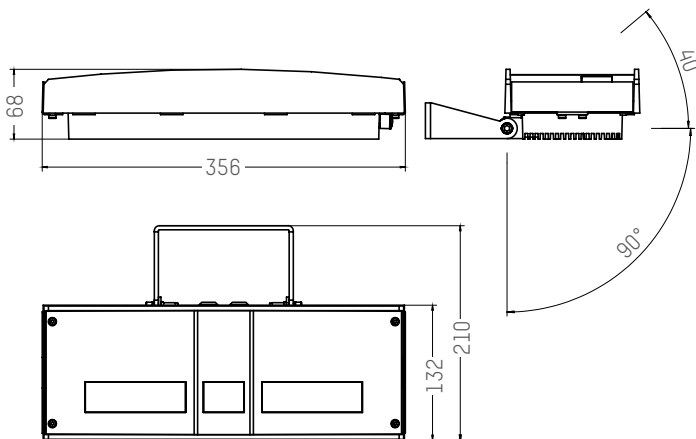




## DATA SHEET

# SILL

## 190 0 024 XX LED FACADELIGHTER



### Product description

- LED facadelighter
- Mounting via a pivoting, vertically adjustable aluminium bracket
- Pivot range  $-40^{\circ}/+90^{\circ}$

### Colour

- Sparkling iron

### Lighting technology

- 9 LEDs with attachment lenses
- 3000 K | 4000 K | 5700 K

### Control gear / Connection

- Integral dimmable control gear
- Integrated potentiometer, operated from the outside
- Rated voltage 220-240 V / 50-60 Hz
- System power 24 W
- Connection via M16 cable gland for cable diameters 8 - 10 mm
- 5-pole connection terminal 2.5 mm<sup>2</sup>
- Mains loop-in loop-out capable

### Housing / Material

- Corrosion-resistant aluminium cast housing, powder-coated, stove-enamelled
- Optical glass cover made of safety glass

### Dimensions and weight

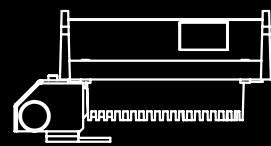
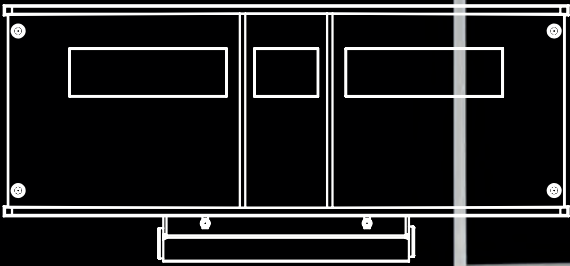
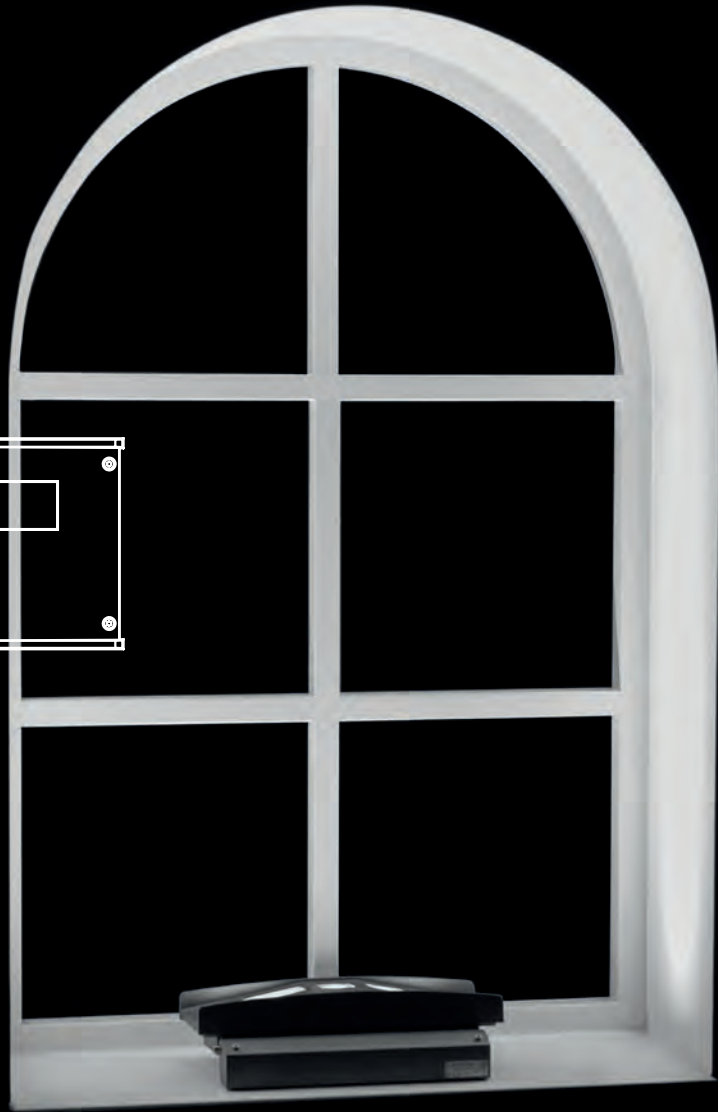
- Weight: ca. 2.7 kg
- Width: 356 mm
- Height: 68 mm
- Depth: 132 mm, with mounting bracket 210 mm

### Ambient temperature

- $-30^{\circ}\text{C} \dots 55^{\circ}\text{C}$

### Protection class / Approvals

- Protection type: IP65
- Protection class: I
- Guarantee: 5 years





## 191 0 024 XX LED WINDOW RECESS PROJECTOR

### Product description

- LED window recess projector
- Mounting via a pivoting, vertically adjustable aluminium bracket

### Colour

- Sparkling iron

### Lighting technology

- 9 LEDs with attachment lenses
- 3000 K | 4000 K | 5700 K
- Red | Green | Blue

### Control gear / Connection

- Integral dimmable control gear
- Integrated potentiometer, operated from the outside
- Rated voltage 220-240 V / 50-60 Hz
- System power 24 W
- Connection via M16 cable gland for cable diameters 8 - 10 mm
- 5-pole connection terminal 2.5 mm<sup>2</sup>
- Mains loop-in loop-out capable

### Housing / Material

- Housing with cooling fins made of corrosion-resistant cast aluminium, powder coated, stove-enamelled
- Optical glass cover made of safety glass
- Bracket cover for concealed cabling

### Dimensions and weight

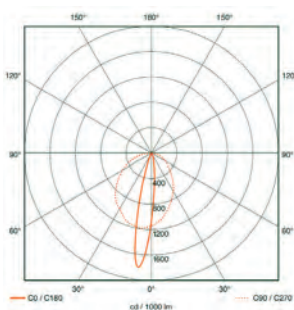
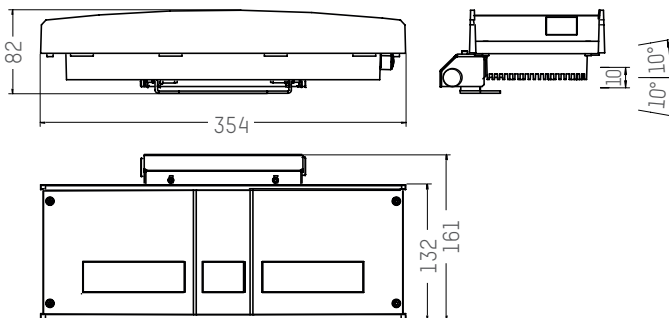
- Weight: ca. 2.3 kg
- Width: 354 mm
- Height: 82 mm
- Depth: 132 mm, with mounting bracket 161 mm

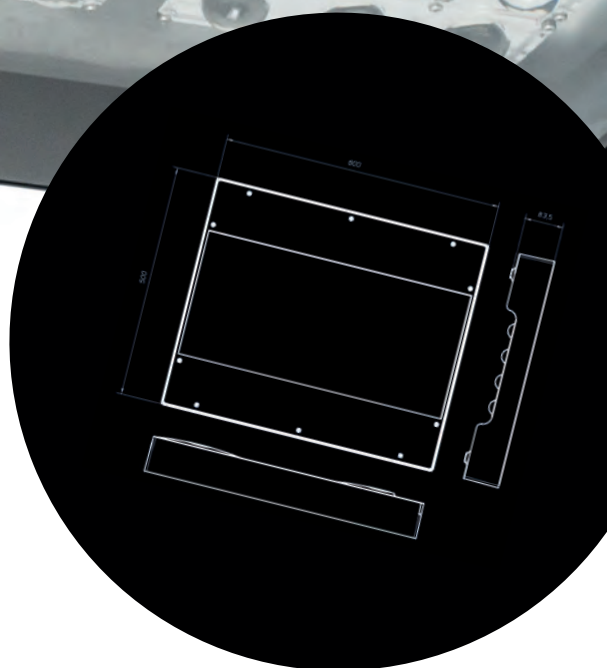
### Ambient temperature

- -30°C ... 55°C

### Protection class / Approvals

- Protection type: IP65
- Protection class: I
- Guarantee: 5 years





## 176

### LED INDUSTRIAL LUMINAIRE



#### Product description

- LED industrial luminaire
- Suspended version, also available as a pivoting bracket version

#### Colour

- RAL 9006 white aluminium , other RAL colours on request

#### Lighting technology – LDT at 4000 K

LVK	Luminaire lumen output	Beam angle	System power in W
- 0	21900 lm	97°	215
- 1	15150 lm	6°	210
- 3	26150 lm	64°	213
- 4	23850 lm	65°	213
- 5	20500 lm	Imax 62°	200

#### Control gear / Connection

- Integral control gear
- Rated voltage 220-240V / 50/60Hz
- 3-pole plug connector max. 4mm<sup>2</sup> for cable diameters 6-10 mm
- Optional loop-through wiring and DALI control

#### Housing / Material

- Corrosion-resistant aluminium cast housing AISi12, powder-coated, stove-enamelled
- Safety glass, clear

#### Dimensions and weight

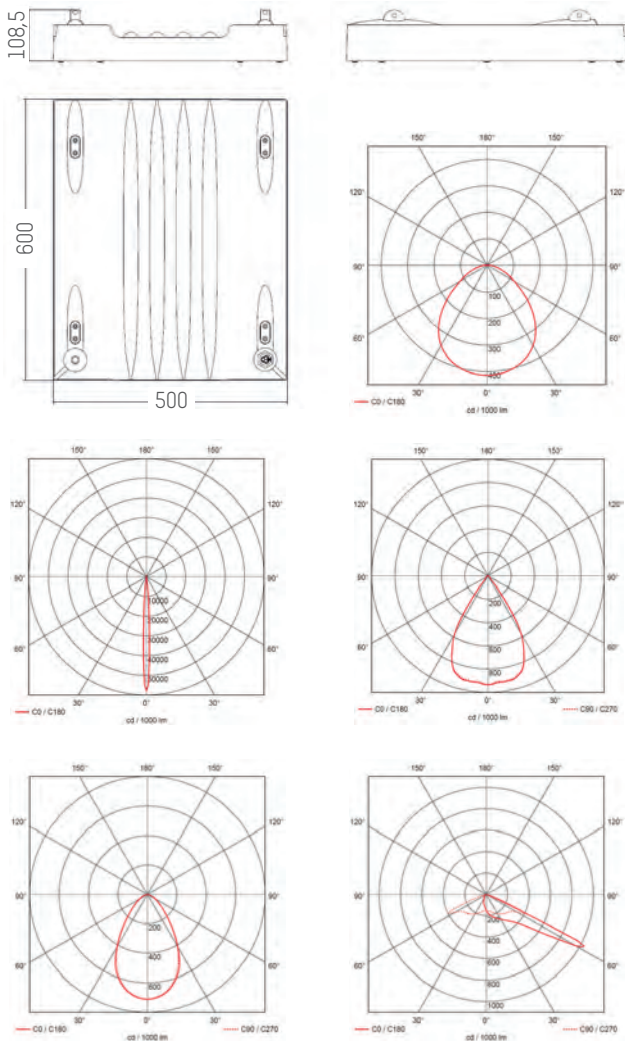
- Weight: ca. 18,3 kg
- Depth: 600 mm
- Width: 500 mm
- Height: 83.5 mm
- Windage area:  $A_w = 0.066 \text{ m}^2$

#### Ambient temperature

- LVK 1: -40°C ... 45°C
- LVK 0,3,4: -40°C ... 55°C
- LVK 5: -40°C ... 40°C

#### Protection class / Approvals

- Protection type: IP65
- Protection class: I
- Ball-impact resistant (pivoting bracket version only)
- Guarantee: 5 years

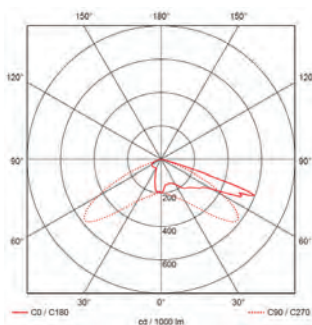
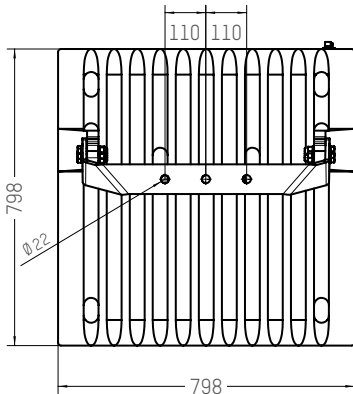
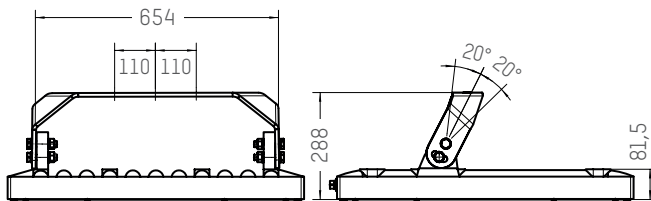




# SILL



## 177 AREALFLOOT 08 LED-AREA LUMINAIRE



### Product description

- LED area luminaire
- Pivoting steel bracket, hot-dip galvanised

### Colour

- Natural aluminium

### Lichttechnik

- LVK 5 asymmetrical narrow beam
- Light colour 5.700 K
- Luminous flux 61.600 lm

### Control gear / Connection

- Integral control gear
- Rated voltage 220-240 V / 50/60 Hz
- System power 550 W
- DALI capable
- IP65, Wieland plug connection, connection cross-section max. 4mm<sup>2</sup> each pole, cable diameter 6-10 mm
- Mains loop-in loop-out capable

### Housing / Material

- Corrosion-resistant aluminium cast housing AlSi12 Mg
- Safety glass, clear

### Dimensions and weight

- Weight: max. 58 kg
- Width: 798 mm
- Height: 798 mm
- Depth: 80 mm | with bracket 285 mm
- Windage area:  $A_w = 0,08 \text{ m}^2$

### Ambient temperature

- -40°C ... 35°C

### Protection class / Approvals

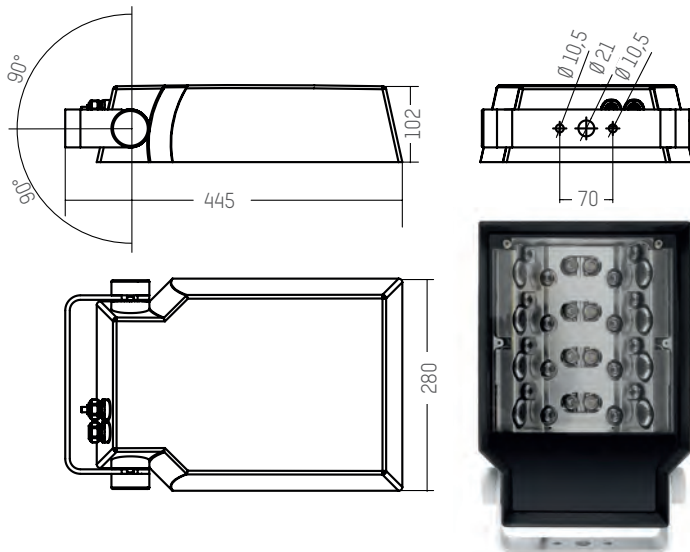
- Protection type: IP65
- Protection class: I
- Guarantee: 5 years

# SILL



# DATA SHEET

# SILL



## CITYLED LED PLANE PROJECTOR

### Product description

- LED Plane projector
- Pivoting aluminum bracket
- Pivot range +/-90°

### Colour

- RAL 9006 white aluminium , other RAL colours on request

### Lighting technology – LDT

- |         |                          | Luminaire lumen output |
|---------|--------------------------|------------------------|
| - LVK 3 | wide beam                | 49 W 3110 lm           |
| - LVK 5 | asymmetrical narrow beam | 49 W 3550 lm           |
| - LVK 6 | asymmetrical wide beam   | 49 W 3320 lm           |
| - LVK 9 | Batwing distribution     | 49 W 3250 lm           |
| - LVK B | Linear distribution      | 49 W 4066 lm           |
- Very good glare control with super Batwing distribution
  - Optimal path illumination
  - 4000 K Neutral white CRI 75
  - In case of 50 luminaires and more in quantity, individual light distributions available
  - UGR value <10

### Control gear / Connection

- Integral control gear
- Rated voltage 220-240 V / 50/60 Hz
- 3-pole connector max. 4 mm<sup>2</sup> for cable diameters 7-10 mm
- Mains loop-in loop-out capable

### Housing / Material

- Corrosion-resistant aluminium cast housing, powder-coated, stove-enamelled
- Safety glass, clear

### Dimensions and weight

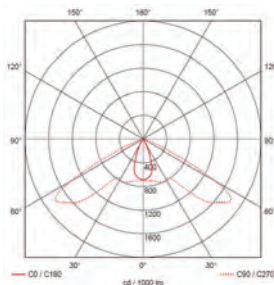
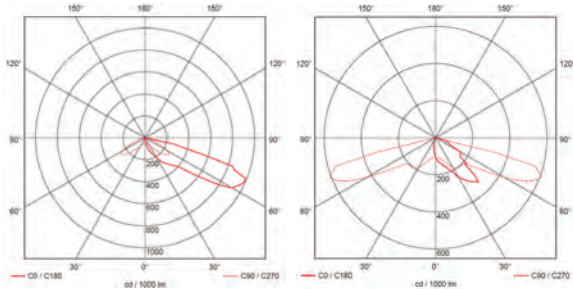
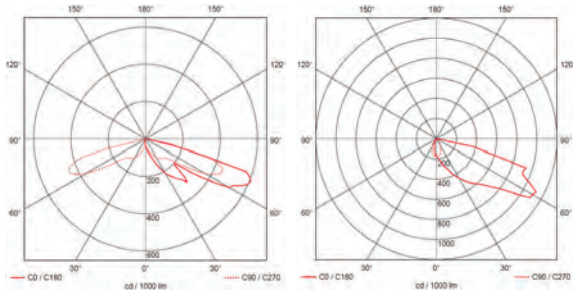
- Weight: 4,5 kg
- Depth: 445 mm
- Width: 280 mm
- Height: 102 mm
- Windage area:  $A_w = 0,04 \text{ m}^2$

### Ambient temperature

- -30°C ... 55°C

### Protection class / Approvals

- Protection type: IP65
- Protection class: I
- Guarantee: 5 years



### Accessories

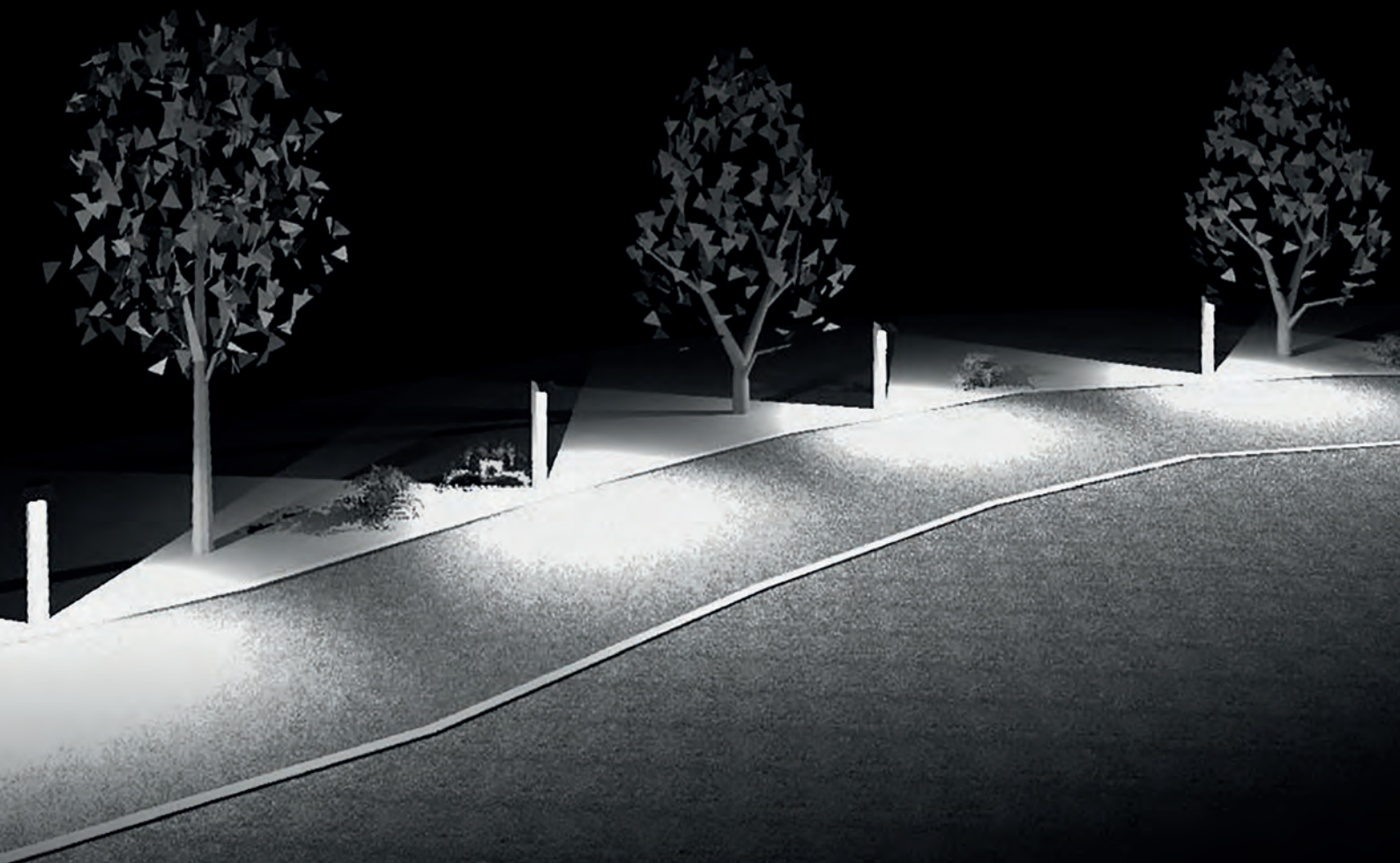
- Column top Ø 76 mm one-way
- Column Ø 76 mm two-way 90°
- Column Ø 76 mm two-way 180°
- Column Ø 76 mm three-way 90°
- Column Ø 76 mm three-way 120°
- Column Ø 76 mm four-way 90°
- Installation frame

The pictures can change in colour and technical specification.  
Subject to technical changes without prior notice.

SILL Leuchten GmbH  
www.sill-lighting.com



# SILL





## 444 AVENUE BOLLARD LED PATH ILLUMINATION

### Product description

- LED path illumination

### Colour

- RAL 9006

### Lighting technology – LDT

- Very good glare control
- Optimal path illumination
- Luminaire lumen output 2620lm
- 4000 K neutral white

### Control gear / Connection

- Integral control gear
- Total power 37 W
- Control gear and connection leads to cable junction box, mounted inside onto the bollard column
- Rated voltage: 220-240 V
- Mains frequency: 50-60 Hz

### Housing / Material

- Bollard column made of steel tube 133 diameter, hot-dip galvanised and painted, with a service hatch on the rear for cable junction box
- For in-ground installation with 745mm long buried base and anchor plate
- Luminaire head with cooling fins made of corrosion-resistant cast aluminium AlSi12, powder coated, stove-enamelled
- Temperature-change resistant cover glass
- Gear tray made of cast aluminium for mounting the LED module and electronic components

### Dimensions and weight

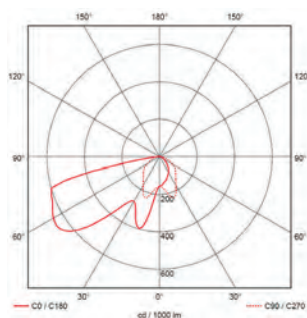
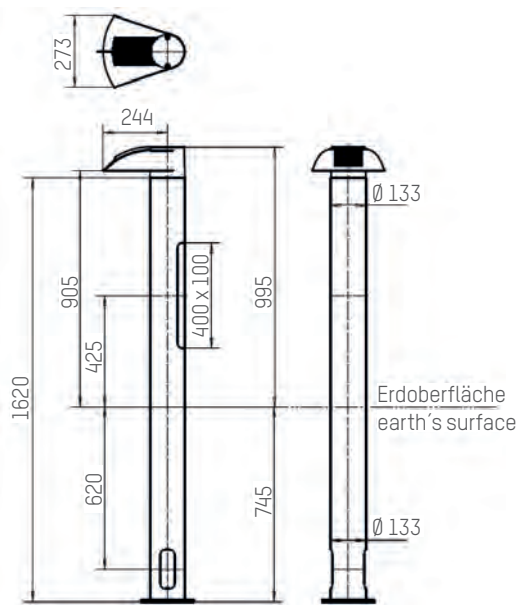
- Weight: 28 kg
- Column diameter: 133 mm
- Height above the ground: 995 mm
- Total height: 1740 mm
- Luminaire depth including column: 310,5 mm
- Luminaire width: 273 mm

### Ambient temperature

- -40°C ... 35°C

### Protection class / Approvals

- Protection type: IP55
- Protection class: I
- Guarantee: 5 years



The pictures can change in colour and technical specification.  
Subject to technical changes without prior notice.

## CONTACT

# SILL

### **SILL Leuchten GmbH**

Gewerbepark Central, Haus 17  
Sickingenstraße 20-28  
10553 Berlin

Germany

central@sill-lighting.com  
sill-lighting.com

### **Sill Lighting UK Limited**

Unit 4 - Goodsons Mews  
Wellington Street  
GB- Thame Oxfordshire  
OX9 3XB